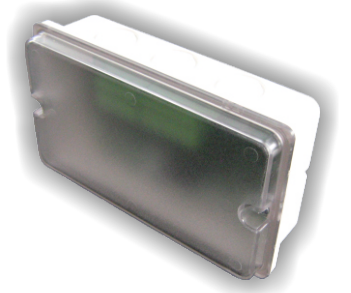


## SensoIRIS MIO04 4 Outputs Module

**EN54-18**  
**EN54-17:2005**

### Description

SensoIRIS MIO04 is an addressable module with 4 relay outputs. The module is designed for application in addressable fire alarm systems, supporting TTE communication protocol. The module controls 4 relay outputs and has built-in isolator module. SensoIRIS MIO04 is powered on from the fire panel and can be controlled via the communication protocol. The module is mounted in a separate small plastic box suitable for wall mounting, with transparent cover for visual inspection.

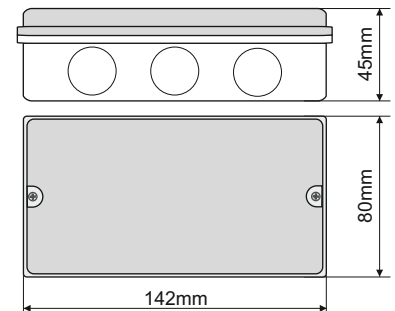


### Technical and Environmental Specifications

Operating Voltage Range . . . . . 15 - 32VDC  
Consumption, stand-by mode . . . . . 175 $\mu$ A@27VDC  
Nom. current consumption . . . . . 200 $\mu$ A@27VDC  
Outputs, electrical characteristics (max.) . . . . . DC 30V/1A; AC 125V/0,5A  
Current consumption with 1 LED on. . . . . 4mA  
Wire Gauge for terminals . . . . . 0.4mm<sup>2</sup> - 2.0mm<sup>2</sup>  
Operating temperature . . . . . -10°C to +60°C  
Relative humidity resistance . . . . . (93  $\pm$  3)% @ 40°C  
Protection. . . . . IP40  
Weight . . . . . ~230g  
Material (plastic), color. . . . . ABS, Gray  
Dimensions. . . . . 142 x 80 x 45mm

**CE** 15  
1293  
DoP No: 041

**1293-CPR-0475**



### Packing Information

- **Single packing** - 1 unit SensoIRIS MIO04, packed in ESD protected envelope.
- **Carton packing box** - 48 units SensoIRIS MIO04, dimensions 496 x 305 x 206 mm.

### Compatible Product Range

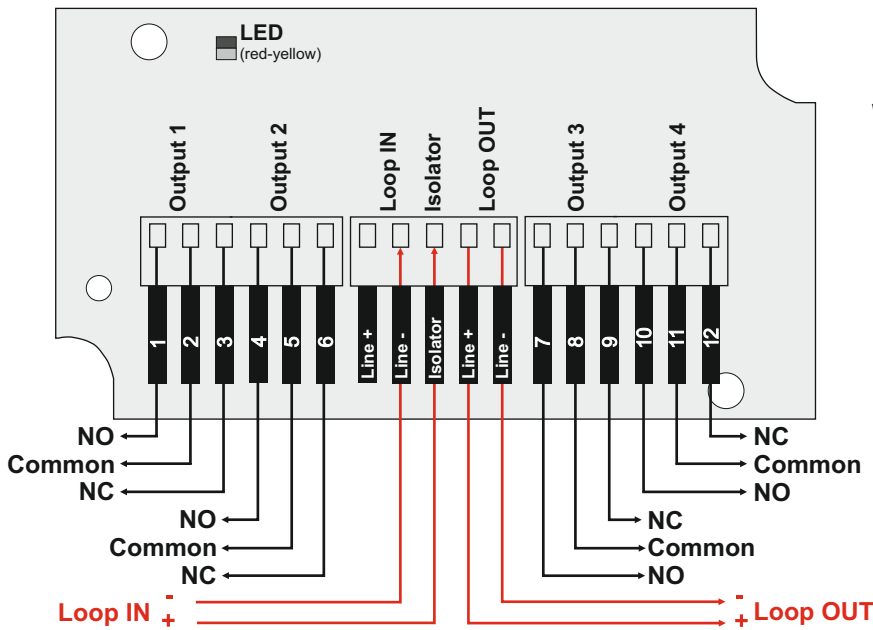
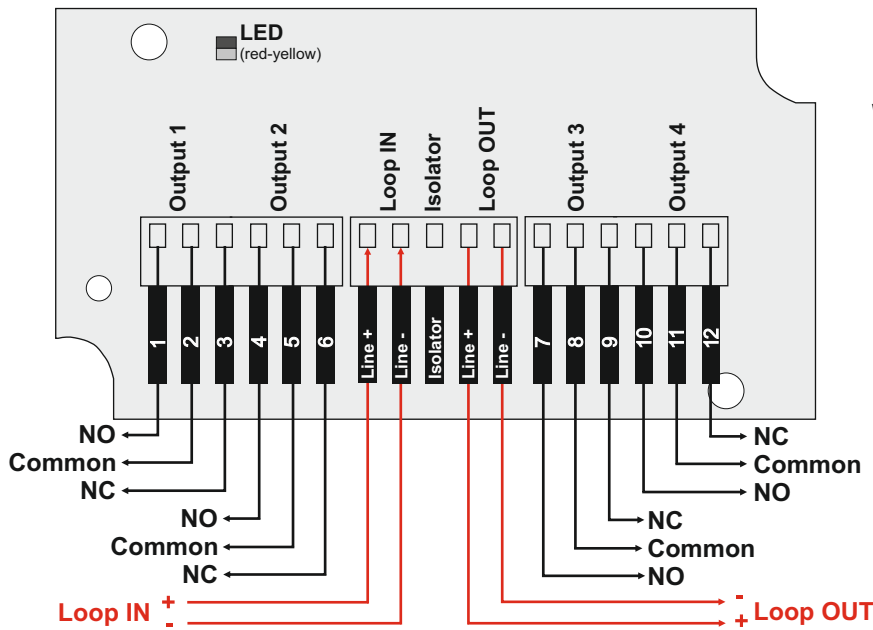
- **IRIS** - Addressable Fire Panel, up to 4 loops
- **SIMPO** - Addressable Fire Panel, up to 2 loops
- **IRIS TTE Loop** - Loop Expander for one loop
- **SIMPO TTE Loop** - Loop Expander for one loop
- **SensoIRIS Programmer** - Address Programming Tool

### Contact Information

## SensoIRIS MIO04 4 Outputs Module

EN54-18  
EN54-17:2005

### Connection Diagrams



### Contact Information