

SUPREME
A NEW DEFINITION OF HD

FD8162V

Fixed Network Camera

2MP • Full HD • Vandal-proof • Focus Assist



VIVOTEK FD8162V is an easy-to-use fixed dome network camera, featuring 2-Megapixel or 1080p Full HD resolution with superb image quality up to 30 fps. As a true day/night camera, the FD8162V features a removable IR-cut filter, maintaining clear images 24 hours a day. With WDR enhancement, users can identify image details in extremely bright or dark environments. It is especially suitable for monitoring wide open indoor environments such as building entrances, airports or applications requiring accurate identification.

For installers, properly adjusting the focus of a megapixel network camera can be difficult due to the image detail. To resolve this, the FD8162V is equipped with a focus assist button to allow users to precisely adjust the camera focus. For complete installation and tampering prevention, the camera also allows for different cover options to fit different conduits and corrugated tubes sizes for cable installation. Its IP66-rated housing is designed to help the camera body withstand rain and dust and ensures operation under a multitude of harsh weather conditions. Additionally, the metal vandal-proof housing effectively provides robust protection from vandalism.

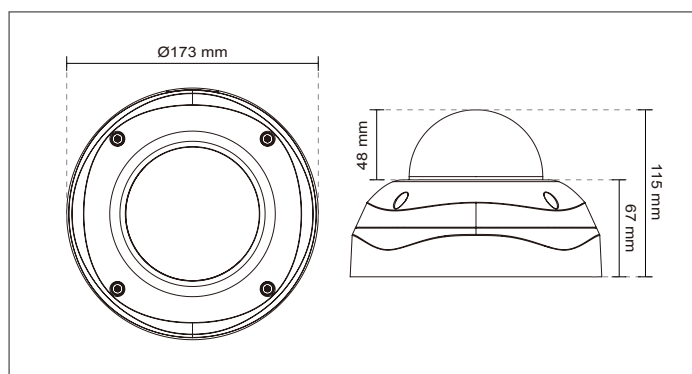
Together with 802.3af compliant PoE, tamper detection, SD/SDHC card for on-board storage, video cropping and e-PTZ functionality, the FD8162V is indisputably the top choice for reliable and high performance surveillance.

Features

- > 2-Megapixel CMOS Sensor
- > Up to 30 fps @ 1080p Full HD
- > Removable IR-cut Filter for Day & Night Function
- > Built-in IR Illuminators, Effective up to 15 Meters
- > Real-time H.264, MPEG-4 and MJPEG Compression (Triple Codec)
- > WDR Enhancement for Unparalleled Visibility in Extremely Bright or Dark Environments
- > Built-in Focus Assist Button for Precise Focus Adjustment
- > Vandal-proof IK10-rated and Weather-proof IP66-rated Housing
- > Built-in 802.3af Compliant PoE
- > Built-in MicroSD/SDHC Card Slot for On-board Storage

System	<ul style="list-style-type: none"> CPU: TI DM368 SoC Flash: 16MB RAM: 256MB Embedded OS: Linux 2.6 	Networking	<ul style="list-style-type: none"> 10/100 Mbps Ethernet, RJ-45 Onvif support Protocols: IPv4, IPv6, TCP/IP, HTTP, HTTPS, UPnP, RTSP/RTP/RTCP, IGMP, SMTP, FTP, DHCP, NTP, DNS, DDNS, PPPoE, CoS, QoS, SNMP, and 802.1X
Lens	<ul style="list-style-type: none"> Board lens, vari-focal, f = 3 ~ 9 mm, F1.2 (wide), F2.1 (tele), auto-iris Removable IR-cut filter for day & night function 	Alarm and Event Management	<ul style="list-style-type: none"> Triple-window video motion detection Tamper detection One D/I and one D/O for external sensor and alarm Event notification using HTTP, SMTP or FTP Local recording of MP4 file
Angle of View	<ul style="list-style-type: none"> 31.7° ~ 93.0° (horizontal) 23.8° ~ 68.4° (vertical) 39.6° ~ 118.9° (diagonal) 	On-board Storage	<ul style="list-style-type: none"> MicroSD/SDHC card slot Stores snapshots and video clips
Shutter Time	<ul style="list-style-type: none"> 1/5 sec. to 1/32,000 sec 	Security	<ul style="list-style-type: none"> Multi-level user access with password protection IP address filtering HTTPS encrypted data transmission 802.1X port-based authentication for network protection
Image Sensor	<ul style="list-style-type: none"> 1/2.7" progressive scan CMOS sensor in 1920x1080 resolution 	Users	<ul style="list-style-type: none"> Live viewing for up to 10 clients
Minimum Illumination	<ul style="list-style-type: none"> 0 Lux / F1.2 (IR LED on) 	LED Indicator	<ul style="list-style-type: none"> System power and status indicator
IR Illuminators	<ul style="list-style-type: none"> Built-in IR illuminators, effective up to 15 meters IR LED*18 	Power	<ul style="list-style-type: none"> 12V DC 24V AC Power consumption: Max. 7 W 802.3af compliant Power-over-Ethernet (Class 3)
Video	<ul style="list-style-type: none"> Compression: H.264, MJPEG & MPEG-4 Streaming: <ul style="list-style-type: none"> Multiple simultaneous streams H.264 streaming over UDP, TCP, HTTP or HTTPS MPEG-4 streaming over UDP, TCP, HTTP or HTTPS H.264/MPEG-4 multicast streaming MJPEG streaming over HTTP or HTTPS Supports activity adaptive streaming for dynamic frame rate control Supports video cropping for bandwidth saving Supports ePTZ for data efficiency Supports 3GPP mobile surveillance Frame rates : <ul style="list-style-type: none"> H.264: <ul style="list-style-type: none"> Up to 30 fps at 1920x1080 MPEG-4: <ul style="list-style-type: none"> Up to 30 fps at 1920x1080 MJPEG: <ul style="list-style-type: none"> Up to 30 fps at 1920x1080 Interface: <ul style="list-style-type: none"> Audio/Video output NTSC/PAL video output switch Focus assist button 	Housing	<ul style="list-style-type: none"> Vandal-proof IK10-rated metal housing Weather-proof IP66-rated housing
Image Settings	<ul style="list-style-type: none"> Adjustable image size, quality and bit rate Time stamp and text caption overlay Flip & mirror Configurable brightness, contrast, saturation, sharpness, white balance and exposure AGC, AWB, AES WDR enhanced Automatic, manual or scheduled day/night mode BLC (Backlight Compensation) Supports privacy masks 	Approvals	<ul style="list-style-type: none"> CE, LVD, FCC, VCCI, C-Tick
Audio	<ul style="list-style-type: none"> Compression: <ul style="list-style-type: none"> GSM-AMR speech encoding, bit rate: 4.75 kbps to 12.2 kbps MPEG-4 AAC audio encoding, bit rate: 16 kbps to 128 kbps G.711 audio encoding, bit rate: 64 kbps, μ-Law or A-Law mode selectable Interface: <ul style="list-style-type: none"> Built-in microphone External microphone input Audio output External/Internal microphone switch Supports two-way audio Supports audio mute 	Operating Environments	<ul style="list-style-type: none"> Temperature: 0 ~ 50 °C (32 ~ 122 °F) Humidity: 90% RH
		Viewing System Requirements	<ul style="list-style-type: none"> OS: Microsoft Windows 7/Vista/XP/2000 Browser: Mozilla Firefox, Internet Explorer 6.x or above Cell phone: 3GPP player Real Player: 10.5 or above Quick Time: 6.5 or above
		Installation, Management, and Maintenance	<ul style="list-style-type: none"> Installation Wizard 2 32-CH ST7501 recording software Supports firmware upgrade
		Applications	<ul style="list-style-type: none"> SDK available for application development and system integration
		Warranty	<ul style="list-style-type: none"> 36 months

Dimension



All specifications are subject to change without notice. Copyright©2011 VIVOTEK INC. All rights reserved.

Distributed by:



VIVOTEK INC.
 6F, No.192, Lien-Cheng Rd., Chung-Ho, New Taipei City, 235, Taiwan, R.O.C.
 |T: +886-2-82455282 | F: +886-2-82455532 | E: sales@vivotek.com

VIVOTEK USA, INC.
 470 Lakeside Drive Suite C, Sunnyvale, CA 94085 USA
 |T: 408-773-8686 | F: 408-773-8298 | E: salesusa@vivotek.com