



HD-SDI

EHH 5101 – 2.1 Megapixel Full HD-SDI Day/Night Vandal-proof Outdoor IR Dome Camera with Progressive Scan

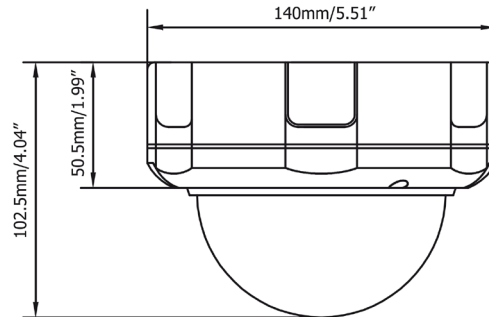
Features

- Real time HD-SDI 1920 x 1080 (1080p) HD video over coax
- 8,5mm (1/3") 2.1 Megapixel progressive scan CMOS sensor
- Built-in 3,3 ~ 12mm DC varifocal lens
- Improved image clarity with 3D DNR, DSS
- 3-axis positioning for flexible mounting and viewing angle
- Vandal-proof and IP66 weatherproof outdoor casing
- Up to 20 m IR distance
- Digital zoom function
- Defect Pixel Correction (DPC)
- RS-485 control input
- On-screen programming
- Dual video output: Megapixel HD-SDI (BNC) plus SD TV (CVBS) via included adapter cable
- 32 programmable privacy zones

Technical data	
Pickup device	8,5mm (1/3") Panasonic 2.1 Megapixel Colour Progressive CMOS sensor
Image pixels	1920 (H) x 1080 (V)
Resolution	Digital: 1080p30, 1080p25, 720p60, 720p50
Sensitivity	Colour: 0,4 lux / b/w: 0,1 lux Colour DSS: 0,1 Lux / b/w DSS: 0,025 lux 0 lux (IR LED on)
S/N ratio	More than 50 dB (AGC off)
Video output	Digital (HD-SDI output): BT.1120, HD-SDI: BNC connector Analogue (test video output): NTSC/PAL CVBS connector: pin header, adapter cable supplied
Lens	3,3 ~12 mm DC varifocal lens with IR cut filter
IR LED	30 LED
IR wavelength	850 nm
IR distance	Up to 20 m (depending on reflections in scenery)
AGC	0 ~ 20 steps
Shutter speed	Auto / manual (1/25 ~ 1/60.000 sec.)
Digital Slow Shutter (DSS)	On / off (x4)
Brightness	0 ~ 20
BLC	On / off
CTB (D-WDR)	On / off
Day/night switching	Auto / colour / b/w
Auto white balance	Auto / auto extn. / preset / manual
Digital noise reduction (DNR)	Off / low / middle / high
Mirror	Off / hor. mirror / vert. flip
Sharpness	0 ~ 10 steps
Digital zoom	0 ~ 96 steps
Privacy mask	32 zones programmable
Motion detection	On / off (switch output, screwless terminal connector)
RS-485	2400~115200 baud, ID 1~255, protocols: Pelco-D/P, EverFocus EVF-1 / connector: pin header, adapter cable supplied
Languages	English / German / French / Simpl. Chinese / Japanese / Russian / Korean
Weatherproof rating	IP 66
Power source	12 V DC
Power consumption	4 W with IR, 16 W max. with IR and heater
Ambient temperature	-40°C ~ +50°C
Humidity	20% ~ 80%
Dimensions (ØxH)	140 x 102,5 mm
Weight	800 g

EHH5101_db_en_rev04

Dimensions



Ordering information

EHH 5101	2.0 Megapixel full HD-SDI day / night vandal-proof outdoor IR dome camera with progressive scan, 3,3~12mm DC varifocal lens, IP 66, 12 V DC
BA EHN	Wall mount bracket for EHH 5101 and EHN series' cameras
AP12D152E1	Power supply, 230 V AC / 12 V DC, 1500 mA

EHH5101_db_en_rev04