



# HD-SDI

## EDH 5101 – 2.0 Megapixel Full HD-SDI Day/Night Indoor Dome Camera with Progressive Scan

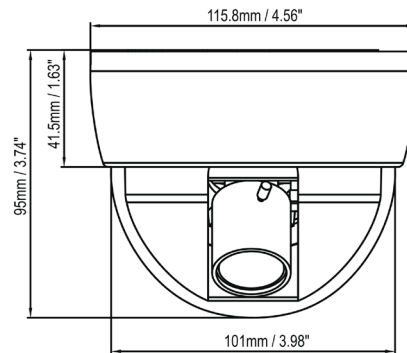
### Features

- Real time HD-SDI 1920 x 1080 (1080p) HD video over coax
- 8,5mm (1/3") 2.1 Megapixel progressive scan CMOS sensor
- Built-in 3,3 ~ 12mm DC varifocal lens
- Improved image clarity with 3D DNR, DSS
- 3-axis positioning for flexible mounting and viewing angle
- Digital zoom function
- Defect Pixel Correction (DPC)
- RS-485 control input
- On-screen programming
- Dual video output: Megapixel HD-SDI (BNC) plus SD TV (CVBS) via included adapter cable
- 32 programmable privacy zones

Technical data	
Pickup device	8,5mm (1/3") Panasonic 2.1 Megapixel Colour Progressive CMOS sensor
Image pixels	1920 (H) x 1080 (V)
Resolution	Digital: 1080p30, 1080p25, 720p60, 720p50
Sensitivity	Colour: 0,4 lux / b/w: 0,1 lux Colour DSS: 0,1 Lux / b/w DSS: 0,025 lux
S/N ratio	More than 50 dB (AGC off)
Video output	Digital (HD-SDI output): BT.1120, HD-SDI: BNC connector Analogue (test video output): NTSC/PAL CVBS connector: pin header, adapter cable supplied
Lens	3,3 ~ 12 mm DC varifocal lens with IR cut filter
AGC	0 ~ 20 steps
Shutter speed	Auto / manual (1/25 ~ 1/60.000 sec.)
Digital Slow Shutter (DSS)	On / off (x4)
Brightness	0 ~ 20
BLC	On / off
CTB (D-WDR)	On / off
Day/night switching	Auto / colour / b/w
Auto white balance	Auto / auto extrn. / preset / manual
Digital noise reduction (DNR)	Off / low / middle / high
Mirror	Off / hor. mirror / vert. flip
Sharpness	0 ~ 10 steps
Digital zoom	0 ~ 96 steps
Privacy mask	32 zones programmable
Motion detection	On / off (switch output, screwless terminal connector)
RS-485	2400~115200 baud, ID 1~255, protocols: Pelco-D/P, EverFocus EVF-1 / connector: pin header, adapter cable supplied
Languages	English / German / French / Simpl. Chinese / Japanese / Russian / Korean
Power source	12 V DC
Power consumption	2 W max.
Ambient temperature	-10°C ~ +50°C
Humidity	20% ~ 80%
Dimensions (ØxH)	115,8 x 95 mm
Weight	350 g

EDH5101\_db\_en\_rev02

## Dimensions



## Ordering information

EDH 5101	2.0 Megapixel full HD-SDI day / night indoor dome camera with progressive scan, 3,3~12mm DC varifocal lens, 12 V DC
AP12A122E0	Power supply, 230 V AC / 12 V DC, 600 mA

EDH5101\_db\_en\_rev02