



HD-SDI

EDH 5102 – 2.0 Megapixel Full HD-SDI Day/Night Indoor Mini Dome Camera with Progressive Scan

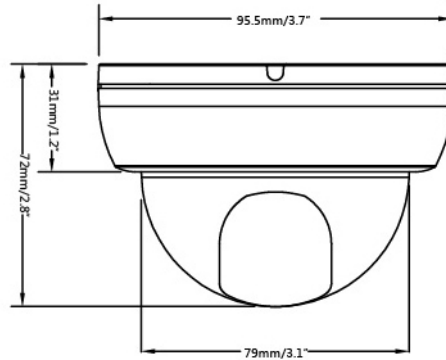
Features

- HD-SDI 1920 x 1080 (1080p) or 1280x720 (720p) HD video over coax
- 2.0 Megapixel progressive scan CMOS sensor
- Built-in 2,8 mm (F=2.0) fix iris lens
- Enhanced exposure control with WDR, D-WDR, BLC, HSBLC, DSS
- RS-485 control input
- On-screen programming
- Dual video output: Megapixel HD-SDI (BNC) plus SD TV (BNC) via adaptor cable
- 32 programmable privacy zones

Technical data	
Pickup device	8,5mm (1/3") Panasonic 2.0 Megapixel Colour Progressive CMOS sensor
Image pixels	1920 (H) x 1080 (V) with 2,75µ x 2,75µ pixel size
Sensitivity	Colour: 0,2 lux / F1.2 / AGC low / Slow Shutter off; 0,04 lux / F = 1.2 / AGC high/ Slow Shutter off; B/W: 0,03 lux / F1.2 / AGC high, Slow Shutter 4x
S/N ratio	> 50 dB
Video format main output	HD-SDI 1080p30, 1080p25, 720p60, 720p50
Resolution main output	1920 x 1080 / 2 Megapixel or 1280 x 720 / 1 Megapixel
Main output connector	BNC socket
Video format test output	NTSC / PAL selectable, 1 Vp-p; simultaneous operation with HD-SDI output
Test output connector	BNC socket at adaptor cable
Lens type	2,8 mm (F = 2.0) fix iris lens
Day/night control	Manual or automatic day/night switching with adjustable threshold and delay, fixed IR cut filter
OSD	Yes, controlled by mini joystick with adaptor cable
Electronic shutter	Auto / manual, selectable 1:25 ~ 1:60.000
DSS Digital Slow Shutter	Off / 2x / 3x / 4x
WDR	4 levels Notes: 1) WDR works alternatively to BLC 2) WDR ON reduces frame rate in 1080p mode (1080p60: 7.5 IPS; 1080p50: 6.25 IPS)
CTB (D-WDR)	On / off
Backlight compensation	Off / BLC (adjustable area) / HSBLC (adjustable level and colour) Note: BLC works alternatively to WDR
AGC	Adjustable level (10 steps)
Auto white balance	Auto / push / manual
DNR	3D DNR, 3 levels
Digital zoom	0~96 steps
Motion identification	Adjustable area and level; switch output; screwless terminal connector
OSD text colour control	Custom camera title, 8 characters, adjustable position
Mirror / Image flip	Off / mirror (hor.) / flip (vert.) / mirror + flip (rotate 180°)
Privacy zones	32 areas, independently adjustable for size, location, colour
Defective pixel compensation	Adjustable threshold levels
OSD Language	English, French, German, Chinese, Korean
RS-485	2400~115200 baud, ID 1~255, protocols: Pelco-D/P, EverFocus / screwless terminal connector
Power source	12 V DC, 5.5mm DC-plug
Power consumption	2 W max.
Ambient temperature	-10°C ~ +50°C
Humidity	20% ~ 80%
Dimensions (ØxH)	95,5 x 72 mm
Weight	190 g

EDH5102_db_en_rev02

Dimensions



Ordering information

EDH 5102	2.0 Megapixel full HD-SDI day / night indoor mini dome camera with progressive scan, fixed IR cut filter, 12 V DC
AP12A122E0	Power supply, 230 V AC / 12 V DC, 600 mA

EDH5102_db_en_rev02