



HD-SDI

EZH 5242 – 2.0 Megapixel full HD-SDI day/night outdoor IR camera with progressive scan and WDR, automatic IR cut filter

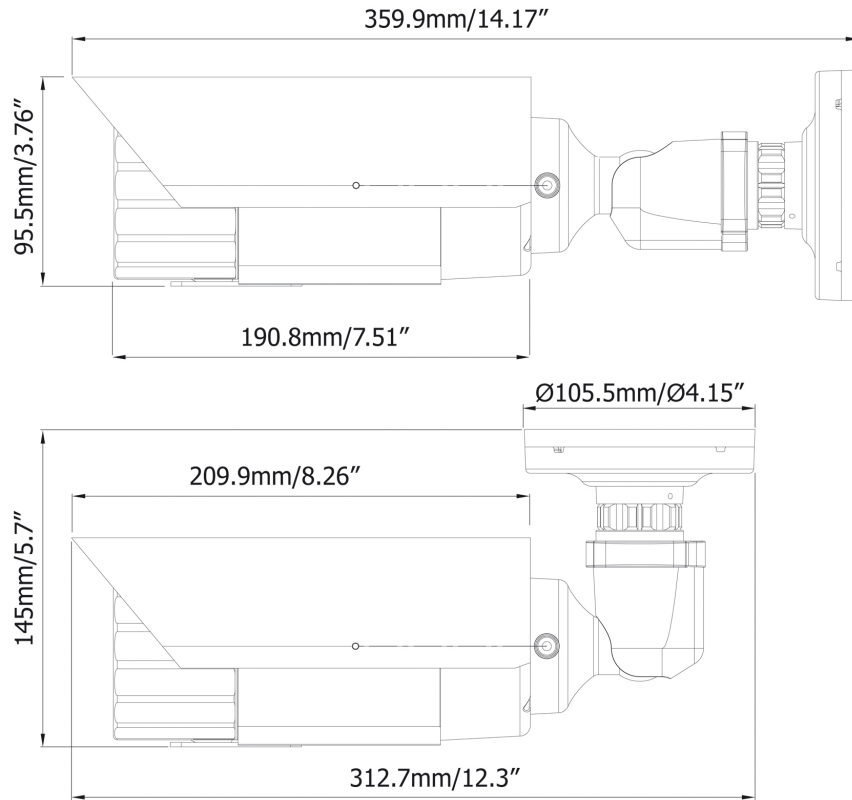
Features

- HD-SDI 2.0 Megapixel real time 1920 x 1080 (1080p) HD video over coax
- 2.0 Megapixel progressive scan CMOS sensor
- Built-in DC Megapixel varifocal lens, f=2,8~10mm
- Day/night function with automatically swiveling IR cut filter
- Enhanced exposure control with WDR, BLC, HSBLC, DSS
- On-screen programming
- Dual video output: Megapixel HD-SDI (BNC) plus SD TV out (adaptor cable) for installation
- IR distance up to 40 m (depending on reflections in scenery)
- 8 programmable privacy zones

Technical data	
Pickup device	8,5mm (1/3") Panasonic 2.0 Megapixel Colour Progressive CMOS sensor
Image pixels	1920 (H) x 1080 (V) with 2,75µ x 2,75µ pixel size
Effective sensor area	5,28mm (H) x 2,97mm (W) // ϕ 6,06mm area diagonal
Viewing angle	Wide end: diagonal: 94,5° // horizontal: 86,6° // vertical: 55,9° Narrow end: diagonal: 33,7° // horizontal: 29,6° // vertical: 16,9°
Sensitivity	Colour: 0,15 lux / F1.2 / AGC low / Slow Shutter off; 0,03 lux / F = 1.2 / AGC high / Slow Shutter off; B/W: 0,01 lux / F1.2 / AGC high, Slow Shutter 10x / 0 lux (IR LED ON)
S/N ratio	50 dB max.
Video format main output	HD-SDI 1080p30, 1080p25
Resolution main output	1920 x 1080 / 2 Megapixel
Main output connector	BNC socket
Video format test output	NTSC / PAL selectable, 1 Vp-p
Test output connector	Pin header (adaptor cable to BNC included)
Lens type	DC Iris Megapixel varifocal lens, f = 2,8 ~10 mm
IR distance	up to 40 m (depending on reflections in scenery)
IR wavelength	850 nm
Day/night control	Automatically swiveling IR cut filter
OSD	Yes (controlled from 5-axis joystick)
Electronic shutter	Auto / manual, selectable
DSS Digital Slow Shutter	2x ~ 60x
WDR	Off / low / medium / high
Backlight compensation	Off / BLC (select areas from 8x15 grid) / HSBLC (4 zones programmable for size and location)
AGC	Low / middle / high
Auto white balance	ATW / push / manual / indoor / outdoor
DNR	Common level adjustment 0 ~ 100 // 2D DNR on/off / 3D DNR on / off / EF DNR on / off
Enhanced Contrast Technology (EFFECT)	Low / middle / high
Digital zoom	2x ~ 64x with optional PiP mode for ease of electronic pan/tilt alignment
Motion identification	On-screen highlighting of changing areas
OSD text colour control	Custom camera title; ability to change text display colour and turn black Text outline on/off to contrast with scene
Image flip	Off/H // flip/V // flip/HV // flip (rotate 180°)
Privacy zones	8 areas, independently adjustable for size, location, colour
Dead pixel compensation	Dynamic method on/off/auto Static method on/off; separate adjustable threshold levels
Weatherproof rating	IP 66
Power source	12 V DC / 24 V AC
Power consumption	7,8 W max. (12 V DC) // 10 W max. (24 V AC)
Ambient temperature	-40°C ~ +50°C
Dimensions (HxL)	145 x 312,7 mm
Weight	1,5 kg

EZH5242_db_en_rev02

Dimensions



Ordering information

EZH 5242	2.0 Megapixel full HD-SDI day / night outdoor IR camera with progressive scan and WDR, automatic IR cut filter, 12 VDC/24 VAC
AP12D152E1	Power supply, 230 V AC / 12 V DC, 1.500 mA

EZH5242_db_en_rev02