



## HD-SDI

EQH 5202 – 2.0 Megapixel full HD-SDI day/night camera with progressive scan and WDR, automatic IR cut filter

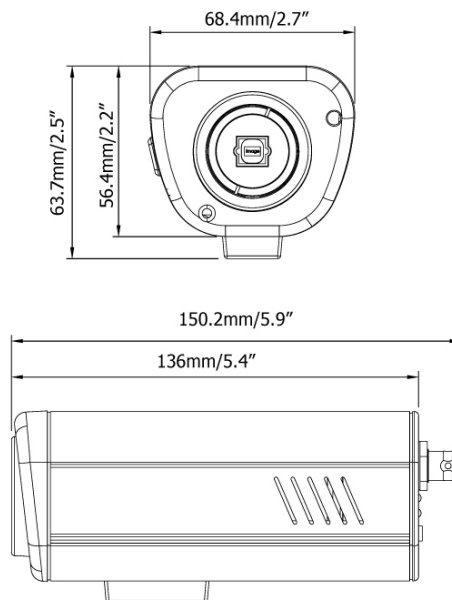
### Features

- HD-SDI 2.0 Megapixel real time 1920 x 1080 (1080p) HD video over coax
- 2.0 Megapixel progressive scan CMOS sensor
- Support of both C- mount and CS-mount lenses (DC or manual)
- Day/night function with automatically swiveling IR cut filter
- Enhanced exposure control with WDR, BLC, HSBLC, DSS
- On-screen programming
- Dual video output: Megapixel HD-SDI (BNC) plus SD TV out (adaptor cable) for installation
- 8 programmable privacy zones
- Dual power source 12 V DC / 24 V AC

Technical data	
Pickup device	8,5mm (1/3") Panasonic 2.0 Megapixel Colour Progressive CMOS sensor
Image pixels	1920 (H) x 1080 (V) with 2,75µ x 2,75µ pixel size
Effective sensor area	5,28mm (H) x 2,97mm (W) // ø 6,06mm area diagonal
Sensitivity	Colour: 0,15 lux / F1.2 / AGC low / Slow Shutter off; 0,03 lux / F = 1.2 / AGC high/ Slow Shutter off; B/W: 0,01 lux / F1.2 / AGC high, Slow Shutter 10x
S/N ratio	50 dB max.
Video format main output	HD-SDI 1080p30, 1080p25
Resolution main output	1920 x 1080 / 2 Megapixel
Main output connector	BNC socket
Video format test output	NTSC / PAL selectable, 1 Vp-p
Test output connector	Pin header (adaptor cable to BNC included)
Lens type	C/CS mount, direct drive (DC) or manual (lens not included)
Day/night control	Automatically swiveling IR cut filter
OSD	Yes (controlled from 5-axis joystick)
Electronic shutter	Auto / manual, selectable
DSS Digital Slow Shutter	2x ~ 60x
WDR	Off / low / medium / high
Backlight compensation	Off / BLC (select areas from 8x15 grid) / HSBLC (4 zones programmable for size and location)
AGC	Low / middle / high
Auto white balance	ATW / push / manual / indoor / outdoor
DNR	Common level adjustment 0 ~ 100 // 2D DNR on/off / 3D DNR on / off / EF DNR on / off
Enhanced Contrast Technology (EFFECT)	Low / middle / high
Digital zoom	2x ~ 64x with optional PIP mode for ease of electronic pan/tilt alignment
Motion identification	On-screen highlighting of changing areas
OSD text colour control	Custom camera title; ability to change text display colour and turn black Text outline on/off to contrast with scene
Image flip	Off/H // flip/V // flip/HV // flip (rotate 180°)
Privacy zones	8 areas, independently adjustable for size, location, colour
Dead pixel compensation	Dynamic method on/off/auto Static method on/off; separate adjustable threshold levels
Power source	12 V DC / 24 V AC
Power consumption	12 V DC: 3 W max. // 24 V AC: 4 W max.
Ambient temperature	0°C ~ +45°C
Humidity	20% ~ 80%
Dimensions (WxHxL)	68,4 x 63,7 x 150 mm
Weight	410 g

EQH5202\_db\_en\_rev03

## Dimensions



## Ordering information

EQH 5202	2.0 Megapixel full HD-SDI day / night camera with progressive scan and WDR, automatic IR cut filter, 12 V DC / 24 V AC
EFV 167 MP-DC	1,67 mm megapixel lens, ultra wide angle with optical distortion correction, supported formats: 8,5mm (1/3"), 10mm (1/2,5"), 10,6mm (1/2,7")
EFV 2812 MP-DC	2,8 ~ 12 mm megapixel DC varifocal lens, format: 8,5mm (1/3")
EFV 412 MP-DC	4 ~ 12 mm megapixel DC varifocal lens, format: 12,7mm (1/2")
EFV 246 MP-M	2,4 ~ 6 mm manual megapixel lens, format: 8,5mm (1/3")
EFV 550 MP-M	5 ~ 50 mm manual megapixel lens, format: 8,5mm (1/3")
EFV 550 MP-DC	5 ~ 50 mm megapixel DC varifocal lens, format: 8,5mm (1/3")
AP12A122E0	Power supply, 230 V AC / 12 V DC, 600 mA

EQH5202\_db\_en\_rev03