



## EPTZ PBOX – connector box with power supply for speed dome

### Features

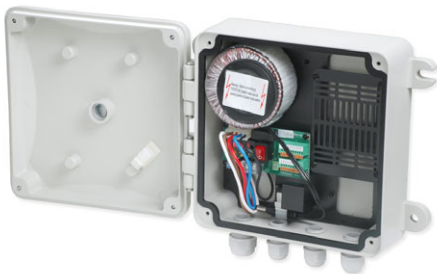
- Vandal-proof metal housing
- Dual power input 100 ~ 120 V AC / 220 ~ 240 V AC
- Designed for direct speed dome mount (EPTZ series with wall mount bracket)
- Separate installation possible (blind cover for cable hole in package)
- Universal mounting adaptor for additional equipment (video server, twisted pair transmitter, fiber optic transmitter)
- Optional 110 / 230 V AC to 12 V DC converter for additional equipment
- Mounting option (optional adaptor) to pole mount and corner mount adaptor

### Technical data

Power source	100 ~ 120 V AC, 60 Hz or 220 ~ 240 V AC, 50 Hz (set by internal switch), 120 VA max.
Power output	24 V AC, 3,5 A max.
Connectors	Power in: 3x screwless terminal Power out: 5,5mm power plug Molex connector for 12 V DC converter RS-485 / alarm: 2 x 10-pin screwless terminal, looped
Ambient temperature	-20°C ~ +40°C
Dimensions (WxHxD)	216,2 x 216,2 x 80,5 mm (w/o cable gland / hinge / flanges) 270 x 245 x 80,5 mm (with cable gland / hinge / flanges)
Dimensions universal mounting plate	120 x 77 mm
Weight	4,1 kg

### Further images

EPTZ PBOX inside view



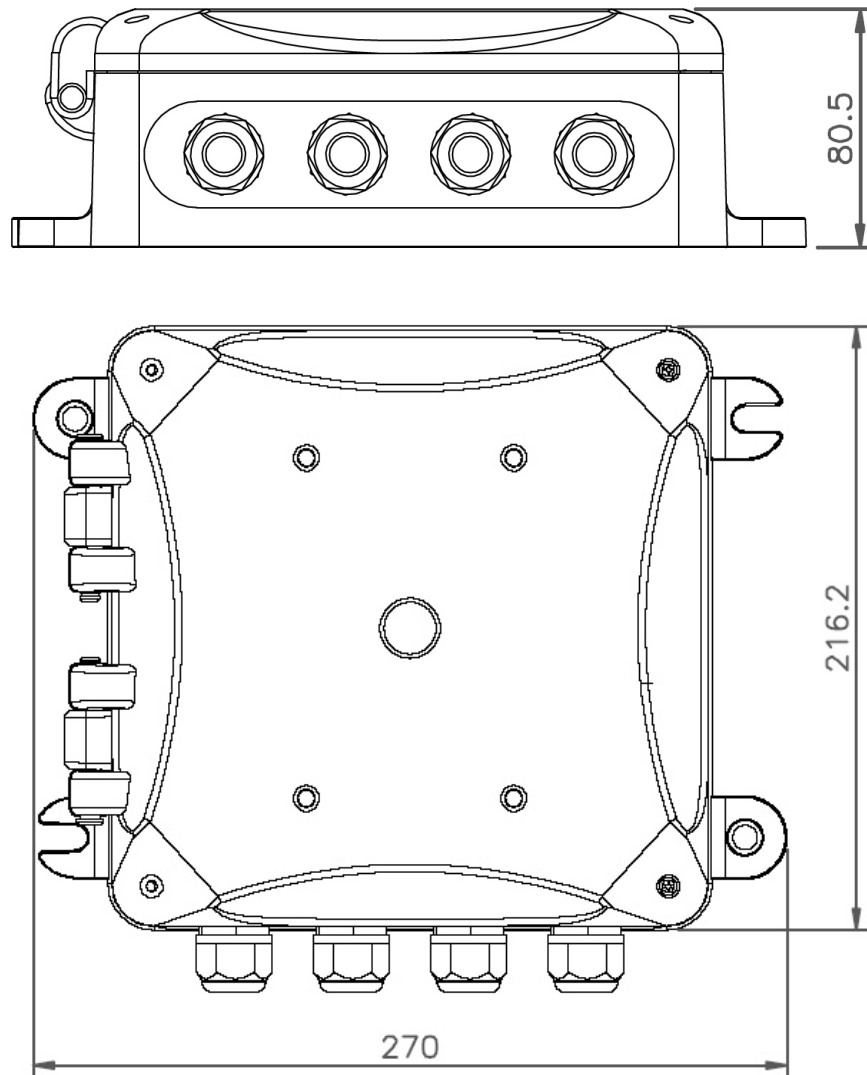
Optional mounting plate EPTZ PB-A



EPTZ PBOX with speed dome EPTZ 3650



## Dimensions



## Ordering information

EPTZ PBOX	Connector box with power supply for speed dome, vandal-proof metal housing, dual power input 100~120 / 220~240 V AC, power output 24 V AC
EPTZ PB-A	Mounting adaptor for pole mount with EPTZ PLM (optional) or corner mount with EPTZ CNM (optional)
EPTZ PB-P12	Converter for EPTZ PBOX 110/230 V AC to 12 V DC / 500 mA

EPTZ-PBOX\_db\_en\_rev03