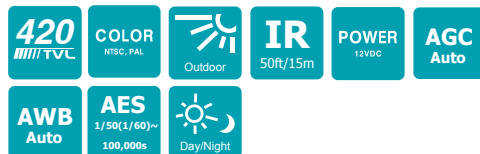


## ECZ260

High Resolution DSP Color  
Weather Resistant IR Bullet Camera

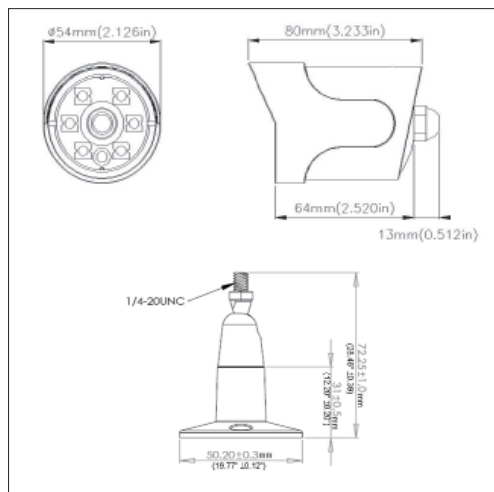


Outdoor IR Bullet Cameras

### Features

- Color day/night IR performance in a compact bullet housing (only 2.13"/54mm in diameter and 3.15"/80mm long)
- SONY 1/3" Super HAD CCD Sensor for crisp images.
- Digital Signal Processor (DSP) chip-set for superior image control
- High sensitivity, low smear, anti-blooming and high S/N ratio improve image quality
- Automatic Electronic Shutter (AES), Auto Gain Control (AGC) and Auto White Balance (ATW) for clear images in all conditions
- Built-in anti-aliasing function to improve perceived video image quality
- Six high efficiency IR-LEDs with a range of ~50 ft./15m coverage in low light environments

### Dimensions



### Specifications

Pickup Device	1/3" SONY Super HAD CCD Sensor
Video Format	NTSC / PAL
Picture Elements	NTSC or PAL (depends on model selected)
Horizontal Resolution	420 TVL
Sensitivity	0.1 Lux / F2.0 ; 0 Lux (IR LED ON)
S/N Ratio	Over 48dB (AGC off)
Electronic Shutter	1/60(1/50)s~1/100,000s
Video Output	BNC 1.0Vp-p 75Ω
Gamma Correction	0.45
Lens Type	Board Lens 3.6mm F2.0
Gain Control	Auto
White Balance	ATW (2500°K~9500°K)
Sync. Mode	Internal Sync.
IR LED	6 Units High Efficiency IR LED
IR Wavelength	850nm
IR Distance	15m (~50ft.)
Weather Resistant	IP66
Power Source	12VDC regulated
Power Consumption	12VDC: 2.8W max. (233mA IR On)
Operating Temperature	-10°C~50°C / 14°F~122°F
Dimensions (O.D. x L)	Body: 54mm x 91mm / 2.16" x 3.6"; base adds ~2.8" in height
Weight	180 g / 0.4 lbs
Certifications	CE / FCC

### Ordering Information:

**ECZ260:** Day/Night IR Bullet, 420 TVL, 3.6mm, 12VDC

\* Models vary in different countries. Please visit EverFocus regional websites for detailed ordering information

\* Lens models and availability vary in different regions

\* All product specifications are subject to change without notice