

ECZ360

540 TVL, Weather Resistant
IR Bullet Camera



540 TVL	Outdoor	Day/Night	IP66 Weather Resistant	COLOR NTSC/PAL
POWER 12VDC	AWB Auto	AGC Auto	ES 1/50(1/60)~ 1/100,000s	IR 25m/80ft.

CE **FCC** FEDERAL COMMUNICATIONS COMMISSION U.S.A. REGULATORY MARKING

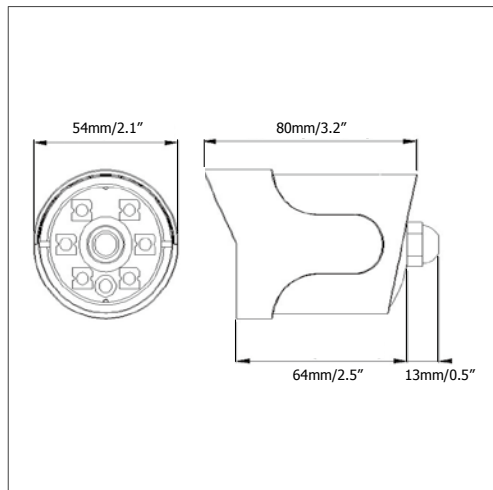
Features

- Color Day/Night IR performance in a compact bullet housing (only 74mm/2.9" in diameter and 110mm/4.3" long)
- SONY 1/3" Super HAD CCD sensor for crisp images
- Digital Signal Processor (DSP) chip-set for superior image control
- High sensitivity, low smear, anti-blooming and high S/N ratio improve image quality
- Automatic Electronic Shutter (AES), Auto Gain Control (AGC) and Auto White Balance (AWB) for clear images in all conditions
- Built-in anti-aliasing function and IR-pass (850nm) optical filter
- Thirty high efficiency IR-LEDs with a range of ~25m/80ft. coverage in low light environments
- Sunshield
- Attach mount bottom for pedestal mount or top for pendant mount

Specifications

Pickup Device	1/3" SONY Super HAD CCD sensor
Picture Elements	NTSC or PAL (depends on model selected)
Picture Elements	768 x 494 (NTSC), 752 x 582 (PAL)
Horizontal Resolution	540 TVL
Sensitivity	0.12 Lux/F1.6; 0 Lux (IR LED ON)
S/N Ratio	Over 48dB (AGC off)
Electronic Shutter	1/60(1/50)s~1/100,000sec.
Video Output	BNC 1.0Vp-p, 75Ω
Gamma Correction	0.45
Lens Type	Board Lens 4.3mm F2.0
Gain Control	Auto
White Balance	ATW (2500°K~9500°K)
Sync. Mode	Internal Sync.
IR LED	30 Units High Efficiency IR LED
IR Wavelength	850nm
IR Distance	25m/80ft.
Weather Resistant	IP 66
Power Source	12VDC
Power Consumption	12VDC: 3.6W max.
Operating Temperature	-10°C~50°C / 14°F~122°F
Dimensions (O.D. x L)	74 x 110mm/2.9" x 4.3"
Weight	387g/0.85lbs
Certificates	CE, FCC

Dimensions



* Models vary in different countries. Please visit EverFocus regional websites for detailed ordering information
* Lens models and availability vary in different regions

* All product specifications are subject to change without notice