

EXZ230

420 TVL 3-Axis Compact IP66 IR Bullet Camera



420 TVL	Outdoor	IP66 Weather Resistant	IR 20m/65ft.	AES 1/50(1/60)~100,000s
AWB Anti-Color Roll	AGC Auto	Vandal Resistant	POWER 12VDC	3-Axis

CE FCC RoHS

Outdoor IR Bullet Camera

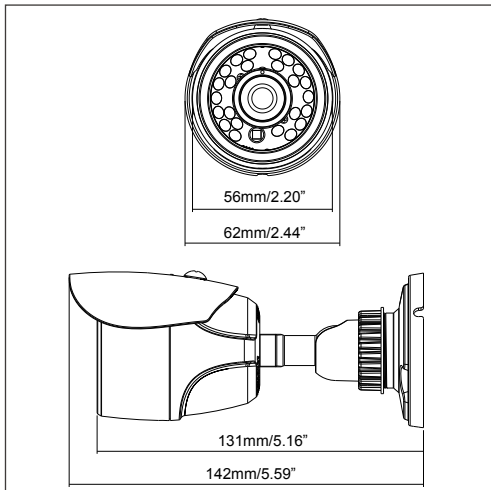
Features

- Low light sensitivity 0.05/F=1.2 (AGC ON) is achieved by using the advanced 1/3" Super HAD CCD II
- High Resolution 420 TVL
- 3-Axis facilitates easy angle adjustment
- 24 IR LEDs reach up to 15m (~50ft.) range
- Built-in Auto Electronic Shutter (AES), Auto Gain Control (AGC) and Auto White Balance (AWB)
- Weather resistant IP66

Specifications

Pickup Device	1/3" Color SONY Super HAD CCD II
Video Format	NTSC or PAL (depends on model selected)
Picture Elements	510 x 492 (NTSC), 500 x 582 (PAL)
Horizontal Resolution	420 TVL
Sensitivity	0.05 Lux / F=1.2 ; 0 Lux IR On
S/N Ratio	Over 48dB (AGC off)
Electronic Shutter	1/50 (1/60) ~1/100,000sec.
Video Output	BNC 1.0 Vp-p, 75Ω
Gamma Correction	0.45
Lens Type	Fixed Lens f=4.3mm / F=2.0
Auto Gain Control	Yes
White Balance	Auto
Sync. Mode	Internal Sync.
IR LED	24 Units IR LED
IR Wavelength	850nm
IR Distance	20m (~65ft.)
Power Source	12VDC
Power Consumption	12VDC: 310mA / 4W max.
Operating Temperature	-10°C~50°C ; 14°F~122°F
Humidity	20% ~ 80% non-condensing
Dimensions (Φ x D)	62 x 142mm/2.44" x 5.59"
Weight	275 g/0.6lbs
Certificates	CE, FCC

Dimensions



* All product specifications are subject to change without notice

* Models vary in different countries. Please visit EverFocus regional websites for detailed ordering information

* Lens models and availability vary in different regions