

EXZ235

540TVL 3-Axis Compact IP66 IR Bullet Camera



NEW



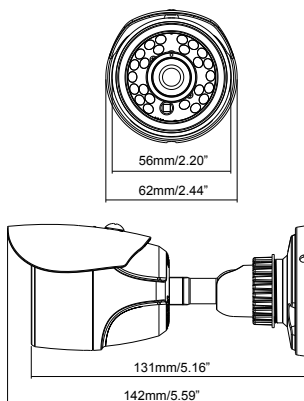
Features

- Low light sensitivity 0.1/F=1.2 (AGC ON) is achieved by using the advanced 1/3" CCD sensor
- High Resolution 540 TVL
- 3-Axis facilitates easy angle adjustment
- 24 IR LEDs reach up to 20m (~65ft.) range
- Built-in Auto Electronic Shutter (AES), Auto Gain Control (AGC) and Auto White Balance (AWB)
- Weather resistant IP66

Specifications

Camera	
Horizontal Resolution	540 TVL
Pickup Device	1/3" Color CCD sensor
Video Format	NTSC / PAL
Image Pixels	768 x 494 (NTSC), 752 x 582 (PAL)
Lens	Fixed Lens f=3.6 / 4.3mm
Sensitivity	0.1 Lux / F=1.2 ; 0 Lux IR On
Shutter Time	1/60 (1/50) ~ 1/100,000sec.
Video	
Video Output	BNC 1.0 Vp-p, 75Ω
S/N Ratio	Over 48dB (AGC OFF)
Gamma Correction	0.45
AGC	Yes
AWB	Yes
General	
IR LED (units)	24
IR Range	20m / 65ft.
Smart IR (IR OPT)	Yes
Sync. Mode	Internal
Water Resistance	IP66
Vandal Resistance	Yes
Power Source	12VDC
Power Consumption	12VDC 310mA / 4W max.
Operating Temperature	-10°C~50°C / 14°F~122°F
Dimensions (W x D x H)	62 x 142mm / 2.44" x 5.59"
Weight	275g / 0.6lbs
Certificates	CE FC

Dimensions



* All product specifications are subject to change without notice

* Models vary in different countries. Please visit EverFocus regional websites for detailed ordering information

* Lens models and availability vary in different regions