



Cube Network Camera IP8130/31/30W/31W



1MP • Compact Size •
802.11n WLAN / WPS (IP8130W/31W)

VIVOTEK IP8130/31/30W/31W are compact cube cameras designed for indoor surveillance. The elegant design makes it an ideal solution for offices, shops and homes. A built-in microphone further increases the level of surveillance by recording sound within a 6 meter radius. Moreover, the IP8131/31W are equipped with IR LEDs and IR-cut filter, providing clear video in completely dark environments.

The IP8130/31/30W/31W support the industry-standard H.264 compression technology, drastically reducing file sizes and conserving valuable network bandwidth. Moreover, the IP8130W/31W boast 802.11b/g/n compatible wireless connection, making installation easier and more cost-efficient. The WPS function of IP8130W/31W makes wireless configuration easy and straightforward. Together with the multi-lingual 32-channel recording software ST7501, users can set up an easy-to-use IP surveillance system with ease. VIVOTEK also provides the smart phone application iViewer, both on iPhone and Android phones, enable users to monitor live video off-site.

Features

- 1-Megapixel CMOS Sensor
- Compact Design
- Real-time H.264 and MJPEG Compression (Dual Codec)
- 30 fps @ 1280x800
- Two-way Audio
- Removable IR-cut Filter for Day and Night Function (IP8131/31W)
- Built-in IR Illuminators, Effective up to 6 Meters (IP8131/31W)
- Built-in MicroSD/SDHC/SDXC Card Slot for On-board Storage
- Built-in IEEE 802.11b/g/n WLAN (IP8130W/31W)
- Wi-Fi Protected Setup (WPS) for Easy and Secure Wireless Network Connection (IP8130W/31W)

Built-in Microphone



On-board Storage



Home



Office



Technical Specifications

Models	IP8130 IP8130W (Wireless) IP8131 (Day/Night) IP8131W (Day/Night, Wireless)
System Information	
CPU	Multimedia SoC (System-on-Chip)
Flash	16 MB
RAM	128 MB
Camera Features	
Image Sensor	1/4" Progressive CMOS
Maximum Resolution	1280x800
Lens Type	Fixed-focal
Focal Length	f = 3.45 mm (IP8130/30W) f = 3.6 mm (IP8131/31W)
Aperture	F2.4 (IP8130/30W) F1.8 (IP8131/31W)
Field of View	IP8130/30W: 47° (horizontal) 31° (vertical) 55° (diagonal) IP8131/31W: 60° (horizontal) 39° (vertical) 70° (diagonal)
Shutter Time	1/5 sec. to 1/32,000 sec.
Day/Night (IP8131/31W only)	Removable IR-cut filter for day & night function
Minimum Illumination	IP8130/30W: 1.46 Lux, 50 IRE IP8131/31W: 0.3 Lux, 50 IRE (Color) 0.001 Lux, 50 IRE (B/W)
Pan/tilt/zoom Functionalities	ePTZ: 16x digital zoom (4x on IE plug-in, 4x built-in)
IR Illuminators (IP8131/31W only)	Built-in IR illuminators, effective up to 6 meters IR LED*6
On-board Storage	MicroSD/SDHC/SDXC card slot
Video	
Compression	H.264 & MJPEG
Maximum Frame Rate	H.264: 30 fps at 1280x800 MJPEG: 30 fps at 1280x800
Maximum Streams	2 simultaneous streams
S/N Ratio	Above 62 dB
Video Streaming	Adjustable resolution, quality and bitrate Configurable video cropping for bandwidth saving
Image Settings	Adjustable image size, quality and bit rate Time stamp, text overlay, flip & mirror Configurable brightness, contrast, saturation, sharpness, white balance, exposure control, gain, backlight compensation, privacy masks Scheduled profile settings
Audio	
Audio Capability	Audio input/output (full duplex)
Compression	G.711
Interface	Built-in Microphone External line output
Effective Range	5 meters
Network	
Users	Live viewing for up to 10 clients
Protocols	IPv4, IPv6, TCP/IP, HTTP, HTTPS, UPnP, RTSP/RTP/RTCP, IGMP, SMTP, FTP, DHCP, NTP, DNS, DDNS, SNMP PPPoE, CoS, QoS, 802.1X (IP8130/31 Only)
Interface	10Base-T/100 BaseTX Ethernet (RJ-45)
ONVIF	Supported, specification available at www.onvif.org
Intelligent Video	
Video Motion Detection	Triple-window video motion detection

Alarm and Event

Alarm Triggers	Video motion detection, manual trigger, digital input, periodical trigger, system boot, recording notification, camera tampering detection
Alarm Events	Event notification using HTTP, SMTP, FTP and NAS server File upload via HTTP, SMTP, FTP and NAS server

General

Connectors	RJ-45 for Network connection Terminal block*2 for digital input Terminal block*2 for audio output DC-Jack for DC 12V power input
LED Indicator	System power and status indicator
Power Input	12V DC
Power Consumption	Max. 1.8 W (IP8130) Max. 3.0 W (IP8131) Max. 2.3 W (IP8130W) Max. 3.0 W (IP8131W)
Dimensions	31 mm (D) x 80 mm (W) x 80 mm (H) (IP8130/30W) 46 mm (D) x 80 mm (W) x 80 mm (H) (IP8131/31W)
Weight	Net: 83 g (IP8130) Net: 123 g (IP8131) Net: 99 g (IP8130W) Net: 138 g (IP8131W)
Safety Certifications	CE, LVD, FCC Class B, VCCI, C-Tick
Operating Temperature	0°C ~ 40°C (32°F ~ 122°F)
Warranty	24 months

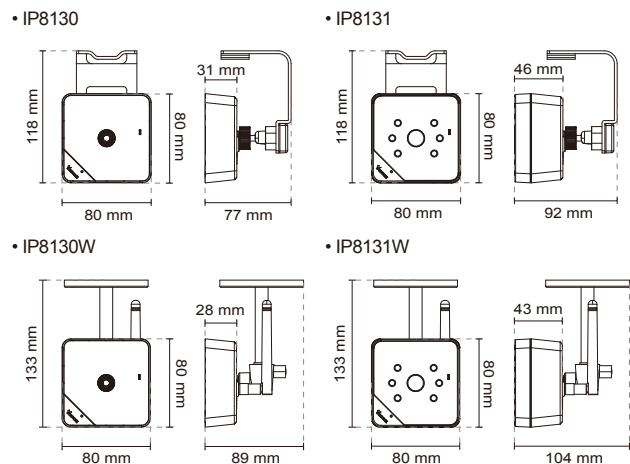
System Requirements

Operating System	Microsoft Windows 7/Vista/XP/2000
Web Browser	Mozilla Firefox 7~10 (streaming only) Internet Explorer 7.x or 8.x
Other Players	VLC: 1.1.11 or above QuickTime: 7 or above

Included Accessories

CD	User's manual, quick installation guide, Installation Wizard 2, ST7501 32-channel recording software
Power Adapter	DC 12V, 1.5A
Others	Quick installation guide, warranty card, camera mounting kit, Ethernet cable

Dimensions



All specifications are subject to change without notice. Copyright © VIVOTEK INC. All rights reserved.

Distributed by:



VIVOTEK INC.
6F, No.192, Lien-Cheng Rd., Chung-Ho,
New Taipei City, 235, Taiwan, R.O.C.
T: +886-2-82455282 F: +886-2-82455532
E: sales@vivotek.com

VIVOTEK USA
2050 Ringwood Avenue,
San Jose, CA 95131
T: 408-773-8686 F: 408-773-8298
E: salesusa@vivotek.com

VIVOTEK Europe
Randstad 22-133, 1316BW Almere,
The Netherlands
T: +31(0)36-5298-434
E: sales@vivotek.com

Ver 1.1