

# ED210

540 TVL 3-Axis Indoor Dome Camera

**NEW**



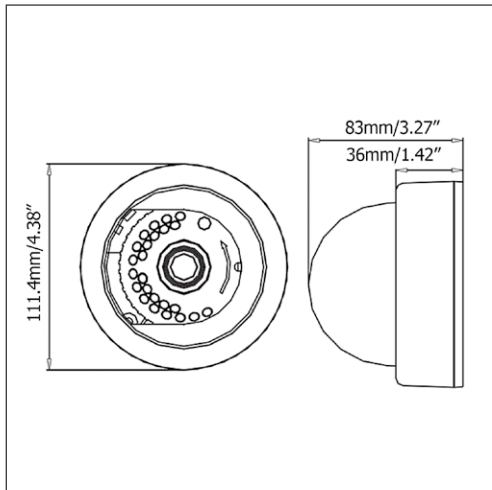
## Features

- 3-Axis, 1/3" Color Hi-Res. CCD, 540 TVL resolution
- Fixed Lens f=3.6mm/4.3mm/6mm/2.8~10.5mm
- Built-in Auto Electronic Shutter (AES), Auto Gain Control (AGC) and Auto White Balance (AWB)

## Specifications

Pickup Device	1/3" Color Hi-Res. CCD
Video Format	NTSC or PAL (depends on model selected)
Picture Elements	768 x 494 (NTSC), 752 x 582 (PAL)
Horizontal Resolution	540 TVL
S/N Ratio	Over 48dB (AGC off)
Electronic Shutter	1/50 (1/60) ~1/100,000sec.
Video Output	BNC 1.0 Vp-p, 75Ω
Gamma Correction	0.45
Lens Type	Fixed Lens f=3.6mm/4.3mm/6mm/2.8~10.5mm
Auto Gain Control	Yes
White Balance	Auto
Sync. Mode	Internal Sync.
Power Source	12V DC
Power Consumption	12V DC: 290mA/3.5W max.
Operating Temperature	0°C~45°C/32°F~113°F
Humidity	20% ~ 80% non-condensing
Dimensions ( Φ x H )	111.4 x 83mm/4.38" x 3.27"
Weight	195g/0.43lbs
Certifications	CE, FCC

## Dimensions



\* All product specifications are subject to change without notice

\* Models vary in different countries. Please visit EverFocus regional websites for detailed ordering information

\* Lens models and availability vary in different regions