



## EZ 655 – 8,5mm (1/3") Day/Night Outdoor Bullet IR Camera with WDR

### Features

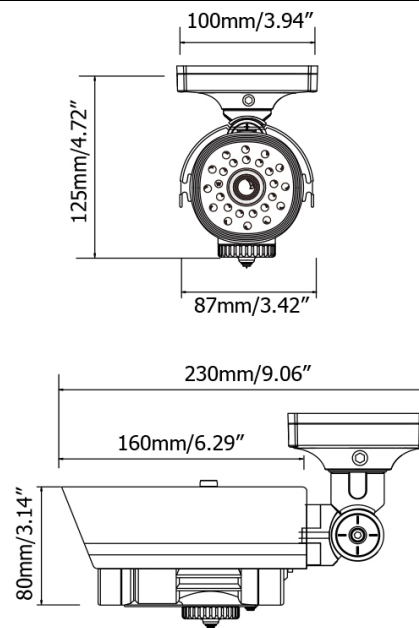
- Sony 960H WDR sensor for 5x better native light sensitivity
- Super high sensitivity of 0,00006 lux (F=1.2) through sensitivity increase setting of up to 512x
- Extended IR range of up to 60 m with 35 LED
- Adjustable IR power
- Split front glass to prevent internal IR reflections
- True day/night function
- Built-in DC varifocal lens (2,8 ~ 12mm or 5 ~ 50mm) with external zoom and focus adjustment
- Integrated Wide Dynamic Range
- Integrated 2D & 3D DNR (Dynamic Noise Reduction)
- Motion detection with 4 adjustable zones
- Privacy mask function with 15 adjustable zones
- Up to 16x digital zoom
- Digital Image Stabilization (DIS)
- Easy bottom access to video test point and lens / OSD menu controls inside weatherproof cover
- Vandal-proof and IP66 weatherproof outdoor casing
- Integrated wall bracket

### Technical data

	EZ 655 / P-V1	EZ 655 / P-V2
Pickup device	8,5mm (1/3") SONY 960H WDR CCD	
Effective pixels	976 x 582 (PAL)	
Horizontal resolution	700 TV lines	
Sensitivity	0,03 lux / F = 1.2 // 0,00006 lux / F = 1.2 (sens-up x512) // 0 lux (IR LED on)	
S/N ratio	Over 52 dB (AGC off)	
Electronic shutter	1/50 ~ 1/100.000 sec.	
Lens	2,8 ~ 12 mm DC varifocal Iris	5 ~ 50 mm DC varifocal lens
Video output	Main output 1,0 Vp-p 75 Ω, BNC, plus local test video output (cable provided)	
Gamma correction	0,45	
Backlight compensation	Off / BLC / HLC	
Auto Gain Control (AGC)	0 ~ 128, adjustable	
White balance	ATW (1800 ~ 10500 K) / push / user1 / user2 / anti CR / manual / push lock	
Synchronisation	Internal	
Day / night control	Colour / auto	
OSD menu	Yes, multilingual	
IR LED	35 long life LED, split front glass to prevent internal IR reflections, adjustable IR power	
IR wavelength	850 nm	
IR range	Up to 60 m (depending on reflections in scenery)	
Smart IR (IR image optimisation)	Yes	
DNR (2D, 3D)	Off / low / midlow / mid / midhigh / high (2D + 3D)	
WDR	On / off	
Digital slow shutter	Up to 512x	
Mirror	Off / V-flip / H-flip / HV-flip	
Digital E-zoom	0 ~ 255 levels adjustable (1x ~ 16x) pan/tilt	
Motion detection	On / off for 4 adjustable zones	
Privacy mask	On / off for 15 adjustable zones	
Digital image stabilization (DIS)	On / Off	
Weatherproof rating	IP 66	
Power supply	12 V DC / 24 V AC	
Power consumption	12 V DC: 1A max (IR LED on) / 520 mA max (IR LED off) 24 V AC: 580 mA max. (IR LED on) / 310 mA max. (IR LED off)	
Ambient temperature	-20°C ~ +50°C	
Dimensions (WxHxD)	100 x 125 x 230 mm	
Weight	1,2 kg	

EZ655\_db\_en\_rev01

## Dimensions



## Ordering information

EZ 655 / P-V1	8,5mm (1/3") day / night outdoor bullet IR camera with WDR, 700 TV lines, built-in 2,8 ~ 12mm DC varifocal lens, 12 VDC/24 VAC
EZ 655 / P-V2	8,5mm (1/3") day / night outdoor bullet IR camera with WDR, 700 TV lines, built-in 5 ~ 50mm DC varifocal lens, 12 VDC / 24 VAC
AP12D152E1	Power supply, 230 V AC / 12 V DC, 1500 mA, stabilized, switched
AP24A152E0	Power supply, 230 V AC / 24 V AC, 1500 mA

EZ655\_db\_en\_rev01