

EZ632e

700 TVL, High Resolution Day/Night
Weather Resistant Outdoor IR Bullet Camera

NEW



700 TVL	Outdoor	True Day/Night	IP66 Weather Resistant	Vandal Resistant	Heater
Motion Detection Support	Privacy Mask	Vari-Focal DC Iris	POWER 12VDC	BLC ON/OFF	DNR Yes
AWB Yes	AGC ON/OFF	AES 1/50(1/60)~100,000s	D-WDR ATR	OSD Yes	IR 40m/130ft.

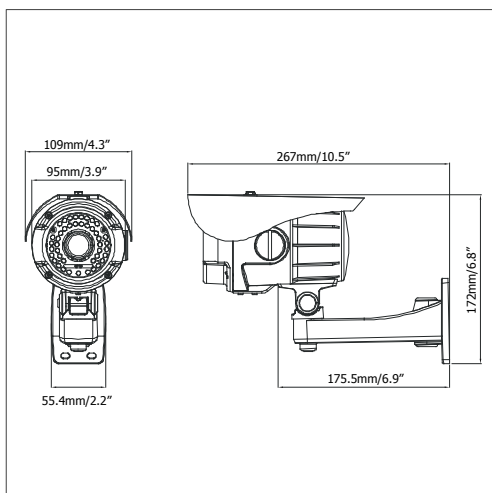


IR Bullet Cameras

Features

- True Day/Night camera with SONY 1/3" EXview HAD CCD II 960H sensor, 700 TVL resolution
- SONY Effio-E platform to provide advanced camera functions
- Vari-Focal DC Iris Lens 3.7~12mm or 9~22mm with ICR
- High sensitivity, low smear, high anti-blooming and high S/N ratio for high performance video
- True Day/Night with ICR module and 42 IR LEDs reach up to 40m (~130ft.) range
- Switchable 10m/20m/40m IR Range for different range of requirements
- Easy to use OSD Setup Menu
- D-WDR functions by SONY ATR technology
- Built-in Auto Electronic Shutter (AES), Auto Gain Control (AGC), Back Light Compensation (BLC) and Auto White Balance (AWB)
- Built-in Motion Detection, Privacy Mask advanced surveillance functions
- Internal wire system with anti-cut bracket
- Auto Blemish compensation up to 32 points
- External manual focus adjustment
- Weather Resistant IP66, Vandal Resistant and built-in heater

Dimensions



Specifications

Pickup Device	1/3" SONY EXview HAD CCD II (960H)
Video Format	NTSC / PAL (depends on model selected)
Picture Elements	976 x 494 (NTSC), 976 x 582 (PAL)
Horizontal Resolution	700 TVL
Sensitivity	0.03 Lux/F=1.2; 0 Lux (IR LED On)
S/N Ratio	Over 48dB (AGC off)
Electronic Shutter	1/60 (1/50) ~ 1/100,000sec.
Video Output	BNC 1.0V p-p, 75Ω
Gamma Correction	0.45
Lens Type	Vari-Focal DC Iris Lens 3.7~12mm / F1.6 with ICR Vari-Focal DC Iris Lens 9~22mm / F1.6 with ICR
Back Light Compensation	On/Off
Auto Gain Control	Yes
White Balance	Auto / Indoor / Outdoor / Manual / Push Auto
Sync. Mode	Internal
Day & Night	True Day/Night with ICR control module
OSD menu	Yes (English / Japanese / German / French / Russian / Portuguese / Spanish / Simplified Chinese)
DNR	On/Off
D-WDR (ATR)	On/Off
Mirror	On/Off
Motion Detection	On/Off for 24x16 Detection Blocks
Privacy Mask	On/Off for 8 Areas (Size Adjustable)
IR LED	42 Units IR LED
IR Configuration	10m/20m/40m DIP Switchable
IR Wavelength	850nm
IR Range	40m max.
Power Source	12VDC
Power Consumption	12VDC: 24W max. (With Heater Operation)
Weather Proof	IP66 rated
Heater	Yes, built-in
Vandal Resistant	Yes
Operating Temperature	-40°C~50°C; -40°F~122°F (built-in heater)
Dimensions (W x H x D)	109 x 172 x 267mm/4.3" x 6.8" x 10.5"
Weight	1,080g/2.4lbs
Certificates	CE, FCC

* Models vary in different countries. Please visit EverFocus regional websites for detailed ordering information
* Lens models and availability vary in different regions

* All product specifications are subject to change without notice