



Bullet Network Camera IP8372



5MP • 30M IR • Smart Focus System •
IP67 • Cable Management

VIVOTEK IP8372 is a professional bullet camera offering 5-Megapixel or 1080p Full HD resolution with superb image quality up to 30 fps. Featuring 5-Megapixel resolution and high-performance H.264/MPEG-4/MJPEG compression technology, the IP8372 offers extra-smooth video and wide coverage.

The IP8372 employs many advanced features to allow users to fully utilize the high definition video. The ePTZ function enables users to zoom in and focus on a region of interest (ROI) in the camera view with only a few clicks of a mouse.

For installers, properly adjusting the focus of a megapixel network camera can be difficult due to the level of image detail. The Smart Focus System allows for easy installation and adjustment by adopting a lens with a built-in stepper motor that can remotely control the focal length and precisely adjust the camera focus, offering hassle-free installation and maintenance.

Aimed at outdoor surveillance, the IP8372 is furnished with an auto-iris lens, a removable IR-cut filter, and 30-meter IR illuminators for superior image quality around the clock. Moreover, the IP67-rated housing protects against rain and dust and ensures functional operation in all types of weather conditions. For easy management and waterproofing, the IP8372 is also equipped with a mounting bracket that conceals all cables within.

With other advanced features such as tamper detection, 802.3af compliant PoE, SD/SDHC/SDXC card on-board storage, and two-way audio, the IP8372 is an all-in-one network camera for detailed surveillance in outdoor environments.

Features

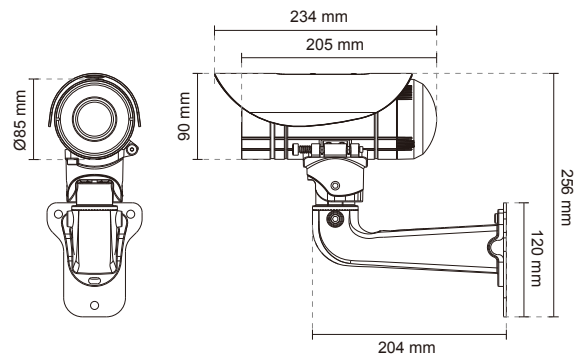
- 5-Megapixel CMOS Sensor
- 30 fps @ 1080p Full HD
- 3.79 ~ 9 mm Vari-focal, DC-iris Lens
- Removable IR-cut Filter for Day & Night Function
- Built-in IR Illuminators, Effective up to 30 Meters
- Real-time H.264, MPEG-4, and MJPEG Compression (Triple Codec)
- WDR Enhancement for Unparalleled Visibility in Extremely Bright or Dark Environments
- Smart Focus System for Remote and Precise Focus Adjustment
- Weather-proof IP67-rated Housing
- Built-in 802.3af Compliant PoE
- Built-in MicroSD/SDHC/SDXC Card Slot for On-board Storage
- Mounting Bracket with Cable Management for Protected Installation



Technical Specifications

System Information		Alarm and Event	
CPU	Multimedia SoC (System-on-Chip)	Alarm Triggers	Video motion detection, manual trigger, digital input, periodical trigger, system boot, recording notification, camera tampering detection
Flash	128 MB	Alarm Events	Event notification using digital output, HTTP, SMTP, FTP and NAS server File upload via HTTP, SMTP, FTP and NAS server
RAM	256 MB		
Camera Features		General	
Image Sensor	1/2.5" Progressive CMOS	Smart Focus System	Remote focal & focus control
Maximum Resolution	2560x1920	Connectors	RJ-45 cable connector for Network/PoE connection Audio input Audio output AC 24V power input DC 12V power input Digital input*2 Digital output*1
Lens Type	Vari-focal	LED Indicator	System power and status indicator
Focal Length	f = 3.79 ~ 9 mm	Power Input	24V AC/12V DC IEEE 802.3af PoE Class 3
Aperture	F1.8 (wide), F3.4 (tele)	Power Consumption	Max. 9.8 W (DC 12V) Max. 11.6 W (AC 24V) Max 11.8 W (PoE)
Auto-iris	DC-iris	Dimensions	Ø: 85 mm x 205 mm
Field of View	35.45° ~ 73° (horizontal) 26.69° ~ 54.77° (vertical) 43.99° ~ 90.91° (diagonal)	Weight	Net: 1750 g
Shutter Time	1/5 sec. to 1/32,000 sec.	Casing	Weather-proof IP67-rated housing
WDR Technology	WDR Enhanced	Safety Certifications	CE, LVD, FCC Class A, VCCI, C-Tick, UL
Day/Night	Removable IR-cut filter for day & night function	Operating Temperature	Starting Temperature: -20°C ~ 50°C (-4°F ~ 122°F) Working Temperature: -30°C ~ 50°C (-22°F ~ 122°F)
Minimum Illumination	0.03 Lux @ F1.8, 50 IRE (Color) 0.001 Lux @ F1.8, 50 IRE (B/W)	Warranty	24 months
Pan/tilt/zoom	ePTZ:	System Requirements	
Functionalities	48x digital zoom (4x on IE plug-in, 12x built in)	Operating System	Microsoft Windows 7/Vista/XP/2000
IR Illuminators	Built-in IR illuminators, effective up to 30 meters IR LED*24, High Power IR LED*2	Web Browser	Mozilla Firefox 7~10 (Streaming only) Internet Explorer 7.x or 8.x
On-board Storage	MicroSD/SDHC/SDXC card slot	Other Players	VLC: 1.1.11 or above Quicktime: 7 or above
Video		Included Accessories	
Compression	H.264, MJPEG & MPEG-4	CD	User's manual, quick installation guide, Installation Wizard 2, ST7501 32-channel recording software
Maximum Frame Rate	H.264: 10 fps at 2560x1920 30 fps at 1920x1080 MPEG-4: 10 fps at 1920x1536 25 fps at 1920x1080 MJPEG: 13 fps at 2560x1920 30 fps at 1920x1080	Others	Quick installation guide, warranty card, sun shield, wall mount bracket, waterproof connector for RJ45 Ethernet enclosure, alignment sticker / desiccant bag, waterproof connector
Maximum Streams	3 simultaneous streams		
S/N Ratio	Above 61 dB		
Dynamic Range	57 dB		
Video Streaming	Adjustable resolution, quality and bitrate Configurable video cropping for bandwidth saving		
Image Settings	Adjustable image size, quality and bit rate Time stamp, text overlay, flip & mirror Configurable brightness, contrast, saturation, sharpness, white balance, exposure control, gain, backlight compensation, privacy masks Scheduled profile settings		
Audio			
Audio Capability	Audio input/output (full duplex)		
Compression	GSM-AMR, AAC, G.711		
Interface	External microphone input External line output		
Network			
Users	Live viewing for up to 10 clients		
Protocols	IPv4, IPv6, TCP/IP, HTTP, HTTPS, UPnP, RTSP/RTP/RTCP, IGMP, SMTP, FTP, DHCP, NTP, DNS, DDNS, PPPoE, CoS, QoS, SNMP, 802.1X		
Interface	10Base-T/100 BaseTX Ethernet (RJ-45)		
ONVIF	Ver. 1.02		
Intelligent Video			
Video Motion Detection	Triple-window video motion detection		

Dimensions



Compatible Accessories

Mounting Kits



AM-311
Pole Mount Adaptor



AM-411
Corner Mount Adaptor

Power Adapter



AA-221
DC 12V Power Adapter

PoE Kits



POE-IJ-1748NDN
PoE injector, 802.3af compliant

All specifications are subject to change without notice. Copyright © 2013 VIVOTEK INC. All rights reserved.

Distributed by:



VIVOTEK INC.

6F, No.192, Lien-Cheng Rd., Chung-Ho, New Taipei City, 235, Taiwan, R.O.C.
|T: +886-2-82455282 | F: +886-2-8245532 | E: sales@vivotek.com

VIVOTEK USA, INC.

2050 Ringwood Avenue, San Jose, CA 95131
|T: 408-773-8886 | F: 408-773-8298 | E: salesusa@vivotek.com

Ver 1.0