

EQ610x

600 TVL High Resolution D-WDR Box Camera



600 TVL	Indoor	1/3" Motion Detection Support	Privacy Mask	D-WDR	POWER 12VDC
AWB OSD Setting	AGC ON/OFF	AES 1/50(1/60)- 100,000s	OSD Menu	DNR Yes	BLC ON/OFF

CE FCC

*Lens sold separately

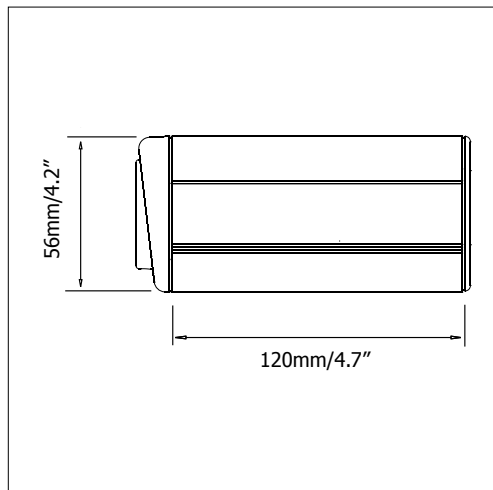
Features

- 600 TVL High Resolution CCD Sensor
- High sensitivity, low smear, high anti-blooming and high S/N ratio for high performance video
- Easy to use OSD Setup Menu
- Built-in DNR, D-WDR & Easy Day/Night functions
- Built-in Back Light Compensation (BLC), Auto Electronic Shutter (AES), Auto Gain Control (AGC) and Auto White Balance (AWB)
- Built-in Motion Detection, Privacy Mask advanced surveillance functions

Specifications

Pickup Device	1/3" High Sensitivity Color CCD	
Video Format	NTSC	PAL
Picture Elements	811(H) x 507(V)	795(H) x 595(V)
Horizontal Resolution	600 TVL	
Sensitivity	0.15 Lux/F=1.2	
S/N Ratio	Over 48dB (AGC off)	
Video Output	1.0Vp-p Composite, 75Ω ; BNC	
Gamma Correction	0.45	
Lens Type	C/CS Mount (Lens sold separately)	
Back Light Compensation	HLC/BLC/OFF	
Auto Electronic Shutter	1/60(50) ~1/100,000sec.	
Auto Gain Control	AUTO (3 Steps)	
Auto White Balance	ATW1 / ATW2 / AWC / Manual	
Sync. Mode	Internal	
OSD Menu	OSD Control (English / Simplified Chinese / Spanish / Russian)	
DNR	On/Off switch	
D-WDR	On/Off switch	
Mirror	On/Off Switch	
Motion Detection	4 Detection Zones	
Privacy Mask	8 Zones	
Power Source	12VDC	
Power Consumption	12VDC: 1W	
Operating Temperature	-10°C~50°C / 14°F~122°F	
Dimensions (W x D x H)	68mm x 56mm x 120mm / 2.6" x 2.2" x 4.7"	
Weight	265g/0.58lbs	
Certificates	CE,FCC	

Dimensions



* Models vary in different countries. Please visit EverFocus regional websites for detailed ordering information
 * Lens models and availability vary in different regions

* All product specifications are subject to change without notice