



## EAN 3120 – 1.3 Megapixel H.264 Day/Night Box Type Network Camera with WDR

### Features

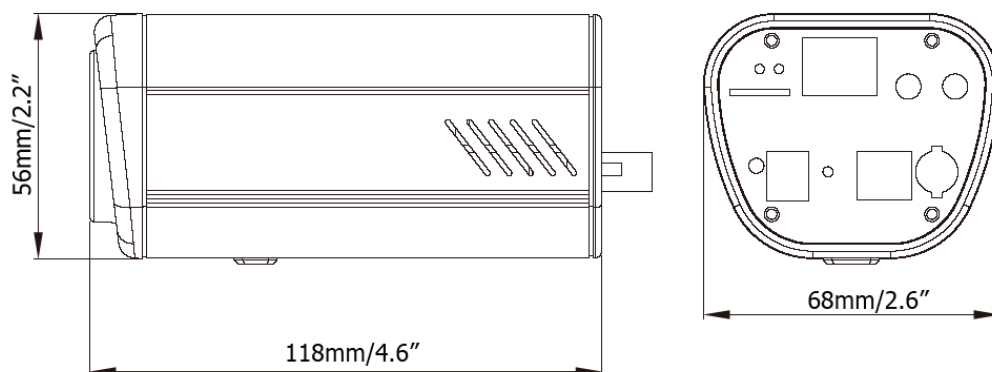
- 1.3 Megapixel CMOS image sensor with 1280 x 1024 resolution
- H.264 or MJPEG encoding / decoding at real time HD resolution up to 1280 x 1024 @ 25 fps
- Enhanced dynamic range with WDR (Wide Dynamic Range) and BLC (back light compensation)
- HLC (highlight suppression) with 4 adjustable areas
- High performance 2D / 3D and smart DNR noise reduction
- Comprehensive video optimisation and monitor adjustment options
- BNC PAL test video output, simultaneously operable with network stream
- Multi stream: 3 independent H.264 or MJPEG video streams
- Edge recording via built-in micro SDHC interface for optional micro SDHC card
- Integrated player for playback of micro SD card recordings
- Day/night switching with automatic IR cut filter
- Motion detection with 4 zones
- Camera occlusion surveillance
- Two-way audio function
- 4 privacy zones
- Supports PoE (Power over Ethernet)
- ONVIF / PSIA compliant



Technical data	
Camera type	1.3 Megapixel H.264 Day/Night Box Type Network Camera with WDR
Pickup device	8,5 mm (1/3") Progressive Scan CMOS
Effective pixels	1280 x 1024
Sensitivity	Colour: 0,15 lux / F1.2 / AGC low / Slow Shutter off B/W: 0,03 lux / F1.2 / AGC high, Slow Shutter off
Day/night switching	Automatically / manually swiveling IR cut filter
Exposure control	DC Iris Control Electronic Shutter: manual / automatic up to 1:50.000 AGC – Automatic Gain Control: 3 steps DSS - Digital Slow Shutter: up to max. 50x WDR - Wide Dynamic Range BLC – Back Light Compensation: adjustable area and gain HLC – Highlight Suppression: 4 adjustable areas / thresholds, connectable to night mode
Noise reduction	2D DNR, 3D DNR, Smart DNR, adjustable level / limit
Image adjustment	Compression, brightness, sharpness, contrast, saturation, colour space, gamma, white balance, exposure control, backlight compensation, rotation, mirroring of images, text and image overlay, auto gain control, auto white balance, visibility / resolution enhancement
White balance	Automatic / manual / presets
Privacy zones	4
Lens	CS-mount / C-mount, DD, (lens sold separately)
Test video output	1 Vp-p FBAS signal, BNC, cropped to 4:3, simultaneous operation with network streaming
Video compression	H.264 / MJPEG
Independent streams	3 streams
Video frame rate	Up to 25 IPS per stream (simultaneous) at full resolution
Video resolution	Stream 1: max. 1280x1024 // stream 2: max. 720x576 // stream 3: max. 352x288
Video quality / compression rates	CBR (Constant Bit Rate): 11 steps // VBR (Variable Bit Rate): 5 steps
Audio	1 audio input, 1 audio output, 3,5 mm jack
Audio operation mode	Two-way audio, half-duplex
Network interface	10 Base-T / 100 Base-TX auto negotiation, RJ-45 socket, supports MDI/MDI-X auto crossover function, PoE 802.3af
Supported protocols	HTTP, TCP/IP, UDP, RTP, RTSP, FTP, SMTP, SNMP, DHCP, DNS, DDNS, NTP, UPnP, PSIA, ONVIF
DDNS support	everfocusddns.com, sitelutions.com, dyndns.com, no-ip.com
Alarm	1 alarm input, 1 alarm output
Motion detection	4 adjustable zones
Event trigger	Alarm input, manual trigger, motion detection, occlusion surveillance, timer
Event reaction	Alarm output, video upload to FTP, video recording to PC / SD card, e-mail, network alarm, log
Local storage	SD card interface for optional micro SD card, supports SD/SDHC/SDXC class 10 host specification (up to 64 GB)
Power source	12 V DC, 5W max. or PoE 802.3af
Ambient temperature	0°C ~ +50°C
Humidity	20% ~ 80%
Dimensions (WxHxL)	68 x 56 x 118 mm (w/o socket and lens)
Weight	410 g

EAN3120\_db\_en\_rev03

## Dimensions



## Ordering information

EAN 3120	1.3 Megapixel H.264 Day/Night Box Type Network Camera with WDR, autom. IR Cut Filter, 12 V DC / PoE
AP12A122E0	Power supply 12 VDC, 600 mA
EFV 167 MP-DC	1,67 mm megapixel lens, ultra wide angle with optical distortion correction, supported formats: 8,5mm (1/3"), 10mm (1/2,5"), 10,6mm (1/2,7")
EFV 2812 MP-DC	2,8 ~ 12 mm megapixel DC varifocal lens, format: 8,5 mm (1/3")
EFV 412 MP-DC	4 ~ 12 mm megapixel DC varifocal lens, format: 12,7 mm (1/2")
EFV 246 MP-M	2,4 ~ 6 mm / F = 1.2 manual megapixel lens, format: 8,5 mm (1/3")
EFV 550 MP-M / DC	5 ~ 50 mm / F = 1.4 megapixel lens (manual or DC), format: 8,5 mm (1/3")

EAN3120\_db\_en\_rev03