



EPN 4220 – 6,35mm (1/4") 20x Day/Night 2.0 Megapixel Outdoor IP Speed Dome Camera

EPN 4220 I – 6,35mm (1/4") 20x Day/Night 2.0 Megapixel Indoor IP Speed Dome Camera

Features

- 20x optical zoom (+12x digital zoom)
- H.264/MJPEG multistream output for simultaneous live monitoring and high resolution recording
- Integrated Wide Dynamic Range
- IP66 outdoor model and indoor model available
- IK10 vandal-proof casing
- 192 programmable preset positions
- 4 programmable patterns
- 8 freely adjustable privacy zones
- 2 alarm inputs, 2 alarm outputs, triggered by intelligent event & external input



Technical data		
	EPN 4220	EPN 4220 I
Sensor	6,35mm (1/4") CCD SONY Exview HAD	
Megapixel	2.0 Megapixel	
Sensitivity (Slow Shutter off)	0,5 lux (colour, 50%, F = 1.6) / 0,095 lux (b/w, 50%, F = 1.6)	
Test video output	1 Vp-p, 75 Ω, BNC	
S/N ratio	> 50 dB (AGC off)	
Electronic shutter	1 ~ 1:10.000 sec.	
DSS digital slow shutter	On / off, 50x max.	
Shutter selection	Auto / fix / shutter-iris priority	
White balance	Auto / indoor / outdoor / one-push / manual	
Back light compensation	On / off	
AGC	yes, adjustable level + limit	
Motion detection	yes, 4 zones	
WDR Wide Dynamic Range	Off / auto / 3 preset modes	
Zoom ratio	20x optical zom (+12x digital zoom, max. 240x)	
Focus length	f=4,7 (wide) ~ 94 (tele) mm	
Aperture	F 1.6 (wide) ~ F 3.5 (tele)	
Viewing angle	1080p: 55,4° (wide) ~ 2,9° (tele)	
Minimum object distance	10 mm (wide) ~ 800 mm (tele)	
Focusing method	One-push, auto / manual	
Picture compression	H.264 / MJPEG	
Independent streams	2	
Picture resolution	Stream 1: max. 1920 x 1080 (1080p) // stream 2: max. 720x576	
Streaming frame rate	1 ~ 25 fps	
Audio input / output	3,5mm phone jack	
Audio streaming	2-way audio, half-duplex	
Network interface	10 / 100 Base-T Ethernet, RJ-45	
Supported protocols	HTTP, TCP/IP, UDP, RTP, RTSP, FTP, SMTP, SNMP, DHCP, DNS, DDNS, NTP, UPnP, PSIA, ONVIF	
Local storage	SD card interface for optional micro SD card, supports SD/SDHC/SDXC class 10 host specification (up to 64 GB)	
Weatherproof rating	IP 66	IP 30
Vandal-proof rating	IK 10	
Power source	24 V AC	
Power consumption	30 W max.	
Fan	Thermostat-controlled	
Ambient temperature	-40°C ~ +40°C	0°C ~ +40°C
Humidity	~ 90%	
Dimensions (diameter x H)	210 x 250 mm (incl. sunshield)	160 x 220 mm
Weight	5,2 kg (incl. sunshield)	3,0 kg

EPN4220_4220I_db_en_rev05

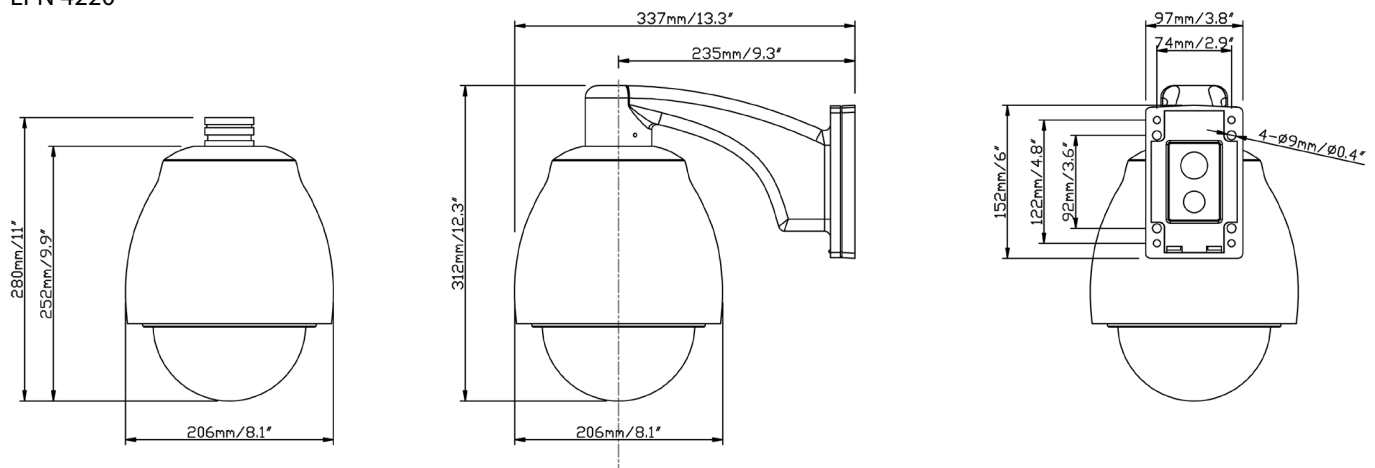
Product information

Functions

Horizontal rotation speed	0,1° / sec. ~ 360° / sec.
Horizontal rotation range	360° unlimited rotation
Tilt rotation range	90° tilt motion with auto flip
Day/night switching	Manual / automatic
Auto zoom speed control	Auto adjustment of PT control speed according to zoom speed position
Autopan, 2 points scanning	Adjustable speeds, adjustable end stops
Autopan speed	1 ~ 255 steps
Dwell time (2 points)	1 ~ 99 sec.
Preset positions	192
Running to position speed	Up to 360° / sec.
Pattern	4x, 1 minute max. each
Auto resume	After inactivity 0,5 ~ 60 min. or after power-up
Auto resume actions	Home position, tour 1, pattern 1, autopan, previous mode
Manual pan speed	0,1° ~ 120° / sec.
Manual tilt speed	0,1 ~ 60° / sec.
Dwell time at preset position	1 ~ 60 sec.
Tours	16
Presets per tour	16 preset positions
Position accuracy	+/- 0,1°
Alarm	2 inputs, 2 outputs, triggered by intelligent event & external input
Proportional pan speed	yes
Privacy zones	8 freely adjustable zones

Dimensions

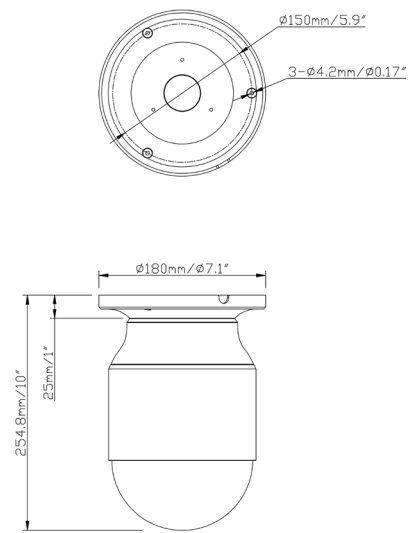
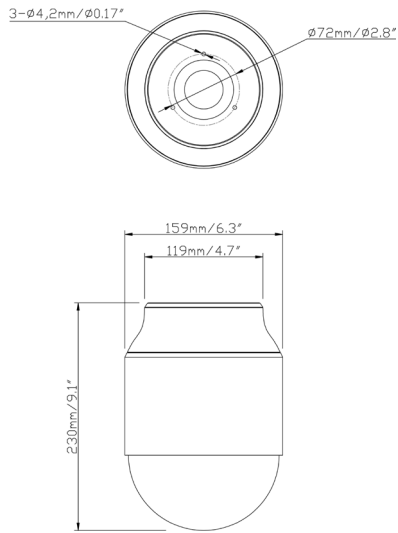
EPN 4220



EPN4220_4220I_db_en_rev05

EPN 4220 I

EPN 4220 I – Indoor Ceiling Mount



Ordering information

EPN 4220	6,35mm (1/4") 20x day/night 2.0 Megapixel outdoor IP speed dome camera, 20x optical and 12x digital zoom, IP66, 24 VAC
EPN 4220 I	6,35mm (1/4") 20x day/night 2.0 Megapixel indoor IP speed dome camera, 20x optical and 12x digital zoom, 24 VAC
EPTZ PBOX	Connector box with power supply for speed dome, vandal-proof metal housing, dual power input 100~120 / 220~240 V AC, power output 24 V AC
EPTZ PB-A	Mounting adaptor for pole mount with EPTZ PLM (optional) or corner mount with EPTZ CNM (optional)
EPTZ PB-P12	Converter for EPTZ PBOX 110/230 V AC to 12 V DC / 500 mA
EPTZ CNM	Corner mount adaptor, stainless steel, H: 170mm, W (mounting plate): 115 mm, W (side plate): 80 mm
EPTZ CLM	Ceiling pendent mount adaptor, powder-coated steel, L (tube): 340mm, \varnothing (tube): 32mm, \varnothing (ceiling adaptor): 108mm
EPTZ PLM	Pole mount adaptor, stainless steel, \varnothing pole: 90 ~ 155mm, dimensions (WxHxD) 166x205x47mm
EPTZ WMB	Wall mount bracket, powder-coated diecast aluminium, L: 270mm
EPTZ ICMB	Embedded ceiling mount adaptor kit, steel, dimensions (\varnothing x H): 220 x 130 mm
AP24A302E1	Indoor power supply for speed dome, input voltage: 230 V AC, output voltage: 24 V AC

EPN4220_4220I_db_en_rev05