



## EZN 3260 – 2.0 Megapixel Full HD H.264 Day/Night Outdoor Bullet Type Network Camera with WDR and IR LED

### Features

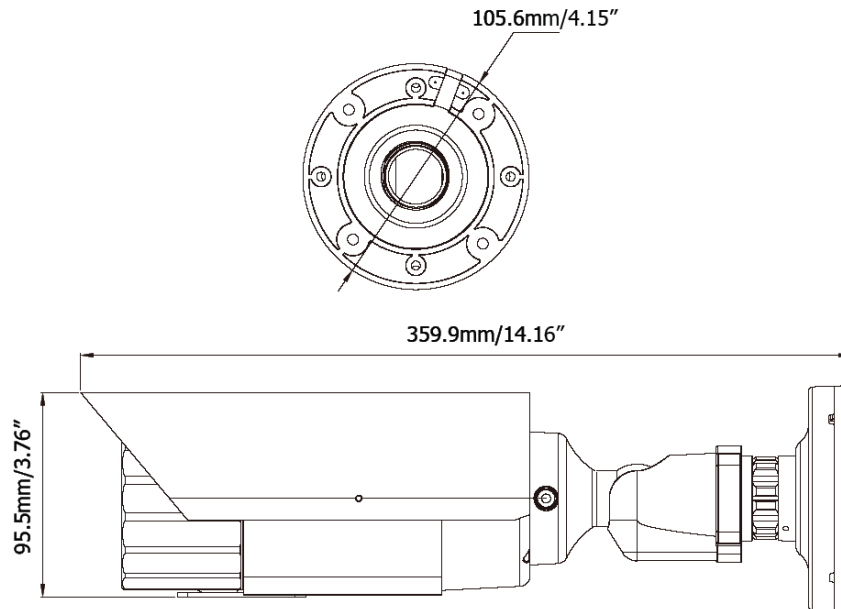


- 2.0 Megapixel Full HD CMOS image sensor with full 1080p (1920 x 1080) resolution
- H.264 or MJPG encoding / decoding at real time HD resolution up to 1080p @ 25 fps
- IP66 outdoor casing with fast mounting plate, 44 IR LED and 2,8~10mm motorized varifocal lens
- Enhanced dynamic range with WDR (Wide Dynamic Range) and BLC (back light compensation)
- HLC (highlight suppression) with 4 adjustable areas
- Comprehensive video optimisation and monitor adjustment options
- BNC PAL test video output, simultaneously operable with network stream
- Multi stream: 3 independent H.264 or MJPEG video streams
- Edge recording via built-in SDHC interface for optional SDHC card
- Integrated player for playback of SD card recordings
- Day/night switching with automatic IR cut filter
- Motion detection with 4 zones
- 4 privacy zones and camera occlusion surveillance
- Two-way audio function
- Supports PoE (Power over Ethernet)
- ONVIF / PSIA compliant

Technical data	
Camera type	2.0 Megapixel Full HD H.264 Day/Night Outdoor Bullet Type Network Camera with WDR and IR LED
Pickup device	8,5 mm (1/3") Progressive Scan CMOS
Effective pixels	1920 x 1080
Sensitivity	0 lux / F1.3 / IR LED on
IR distance	Up to 40 m (depending on reflections in scenery)
Day/night switching	Automatically / manually swiveling IR cut filter
Exposure control	DC Iris Control Electronic Shutter: manual / automatic up to 1:50.000 AGC – Automatic Gain Control: 3 steps DSS - Digital Slow Shutter: up to max. 50x WDR - Wide Dynamic Range BLC – Back Light Compensation: adjustable area and gain HLC – Highlight Suppression: 4 adjustable areas / thresholds, connectable to night mode
Noise reduction	2D DNR, 3D DNR, Smart DNR, adjustable level / limit
Image adjustment	Compression, brightness, sharpness, contrast, saturation, colour space, gamma, white balance, exposure control, backlight compensation, rotation, mirroring of images, text and image overlay, auto gain control, auto white balance, visibility / resolution enhancement
White balance	Automatic / manual / presets
Privacy zones	4
Lens	2,8 ~ 10 mm (F 1.3) motorized DC varifocal lens
Test video output	1 Vp-p FBAS signal, BNC, cropped to 4:3, simultaneous operation with network streaming
Video compression	H.264 / MJPEG
Independent streams	3 streams
Video frame rate	max. 25 IPS per stream (simultaneous) at full resolution
Video resolution	Stream 1: max. 1920x1080 (1080p) // stream 2: max. 720x576 // stream 3: max. 352x288
Video quality / compression rates	CBR (Constant Bit Rate): 11 steps // VBR (Variable Bit Rate): 5 steps
Audio	1 audio input, 1 audio output, 3,5 mm jack
Audio operation mode	Two-way audio, half-duplex
Network interface	10 Base-T / 100 Base-TX auto negotiation, RJ-45 socket, supports MDI/MDI-X auto crossover function, PoE 802.3af
Supported protocols	HTTP, TCP/IP, UDP, RTP, RTSP, FTP, SMTP, SNMP, DHCP, DNS, DDNS, NTP, UPnP, PSIA, ONVIF
DDNS support	everfocusddns.com, sitelutions.com, dyndns.com, no-ip.com
Alarm	1 alarm input, 1 alarm output
Motion detection	4 adjustable zones
Event trigger	Alarm input, manual trigger, motion detection, occlusion surveillance, timer
Event reaction	Alarm output, video upload to FTP, video recording to PC / SD card, e-mail, network alarm, log
Local storage	SD card interface for optional SD card, supports SD/SDHC/SDXC class 10 host specification (up to 64 GB)
Casing	Aluminium, IP66 weatherproof rating
Power source	12 V DC, 11W max. (IR LED on) or PoE 802.3af
Ambient temperature	PoE: -20°C ~ +55°C / 12 V DC: -40°C ~ +55°C
Dimensions (WxHxL)	95,5 x 95,5 x 360 mm (including bracket and sunshield)
Weight	1,62 kg

EZN3260\_db\_en\_rev02

## Dimensions



## Ordering information

EZN 3260	2.0 Megapixel Full HD H.264 Day/Night Outdoor Bullet Type Network Camera with IR LED and WDR, motorized 2,8~10mm varifocal lens, IP 66, 12 V DC / PoE
AP12D152E1	Power supply 12 VDC, 1500 mA

EZN3260\_db\_en\_rev02