



## EDN 3340 – 3.0 Megapixel H.264 Day/Night 3-axis Indoor Dome Network Camera with IR LED

### Features

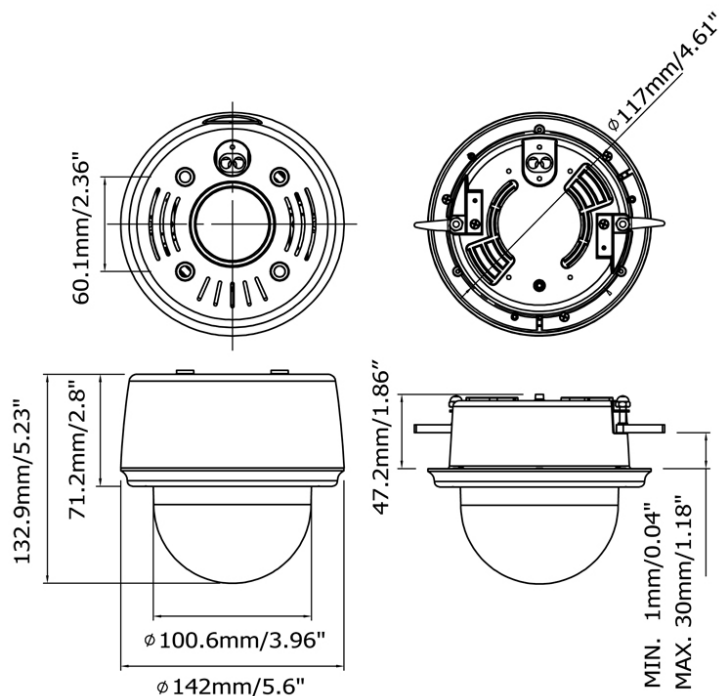
- 3.0 Megapixel CMOS image sensor with 2048 x 1536 resolution
- H.264 or MJPG encoding / decoding at HD resolution up to 2048 x 1536 @ 12,5 fps
- Indoor dome casing with IR LED and 3 ~ 9 mm P-Iris lens
- Wall, ceiling or embedded ceiling mounting options
- 3-axis adjustment of camera module for flexible viewing angle
- HLC (highlight suppression) with 4 adjustable areas
- Comprehensive video optimisation and monitor adjustment options
- BNC PAL test video output, simultaneously operable with network stream
- Multi stream: 3 independent H.264 or MJPEG video streams
- Edge recording via built-in SDHC interface for optional SDHC card
- Integrated player for playback of SD card recordings
- Day/night switching with automatic IR cut filter
- Motion detection with 4 zones
- 4 privacy zones and camera occlusion surveillance
- Two-way audio function
- Black or white casing available
- Supports PoE (Power over Ethernet)
- ONVIF / PSIA compliant



Technical data	
Camera type	3.0 Megapixel H.264 Day/Night Indoor Dome Network Camera with WDR and IR LED
Pickup device	9,1 mm (1/2,8") Progressive Scan CMOS
Effective pixels	2048 x 1536
Sensitivity	0 lux / F1.3 / IR LED on
IR distance	Up to 20 m (depending on reflections in scenery)
Day/night switching	Automatically / manually swiveling IR cut filter
Exposure control	P-Iris lens control Electronic Shutter: manual / automatic up to 1:10.000 AGC – Automatic Gain Control: 100 steps, gain limit DSS - Digital Slow Shutter: up to max. 10x BLC – Back Light Compensation: adjustable area and gain
Noise reduction	3D DNR auto / on (20 steps) / off
Image adjustment	Compression, brightness, sharpness, contrast, saturation, colour space, gamma, white balance, exposure control, backlight compensation, rotation, mirroring of images, text and image overlay, auto gain control, auto white balance
White balance	Automatic / manual / presets
Privacy zones	4
Lens	P-Iris lens 3 ~ 9 mm (F 1.2 ~ F 2.3)
Test video output	1 Vp-p FBAS signal, BNC, cropped to 4:3, simultaneous operation with network streaming
Video compression	H.264 / MJPEG
Independent streams	3 streams
Video frame rate	2048 x 1536: up to 12,5 IPS lower resolutions: up to 25 IPS
Video resolution	Stream 1: max. 2048x1536 // stream 2: max. 720x576 // stream 3: max. 352x288
Video quality / compression rates	CBR (Constant Bit Rate): 11 steps // VBR (Variable Bit Rate): 5 steps
Audio	1 audio input, 1 audio output, 3,5 mm jack
Audio operation mode	Two-way audio, half-duplex
Network interface	10 Base-T / 100 Base-TX auto negotiation, RJ-45 socket, supports MDI/MDI-X auto crossover function, PoE 802.3af
Supported protocols	HTTP, TCP/IP, UDP, RTP, RTSP, FTP, SMTP, SNMP, DHCP, DNS, DDNS, NTP, UPnP, PSIA, ONVIF
DDNS support	everfocusddns.com, sitelutions.com, dyndns.com, no-ip.com
Alarm	1 alarm input, 1 alarm output
Motion detection	4 adjustable zones
Event trigger	Alarm input, manual trigger, motion detection, occlusion surveillance, timer
Event reaction	Alarm output, video upload to FTP, video recording to PC / SD card, e-mail, network alarm, log
Local storage	SD card interface for optional SD card, supports SD/SDHC/SDXC class 10 host specification (up to 64 GB)
Casing	Indoor dome casing with IR LED, wall, ceiling or embedded ceiling mounting possible, 3-axis adjustment of camera module
Power source	12 V DC, 11W max. (IR LED on) or PoE 802.3af
Ambient temperature	0°C ~ +40°C
Dimensions (ØxH)	142 x 132,9 mm
Weight	1,08 kg

EDN3340\_db\_en\_rev04

## Dimensions



## Ordering information

EDN 3340 / B	3.0 Megapixel H.264 Day/Night 3-axis Indoor Dome Network Camera with IR LED, 3 ~ 9 mm P-Iris lens, colour casing: black, 12 V DC / PoE
EDN 3340 / W	3.0 Megapixel H.264 Day/Night 3-axis Indoor Dome Network Camera with IR LED, 3 ~ 9 mm P-Iris lens, colour casing: white, 12 V DC / PoE
AP12D152E1	Power supply 12 V DC, 1500mA

EDN3340\_db\_en\_rev04