

# IP8335H

## Network Bullet Camera

**720p HD • WDR Pro • IP67 • P-iris**



VIVOTEK's IP8335H network bullet camera features an HD WDR CMOS sensor for use in challenging lighting conditions. The resulting WDR Pro feature enables the camera to capture both the dark and bright parts of an image with double shutters, enabling two frames to be combined to generate a highly realistic image representative of the original scene, providing video quality close to the capabilities of a human eye. The P-iris lens controls the iris with extreme precision with its built-in stepper motor, maintaining the opening at an optimal level at all times, resulting in superior image clarity and depth of field as well as image quality. As such, the IP8335H is suitable for high contrast environments such as lobby entrances, parking lots, ATMs, loading areas, and much more.

The day and night functionality and the IP67-rated weatherproof housing of the IP8335H allows users to easily build a cost-effective IP surveillance system without additional accessories. Incorporating an IR-cut filter that can be removed automatically at night and built-in IR illuminators with coverage for up to 20 meters, the IP8335H is an outstanding choice for a 24-hour surveillance solution.

## Features

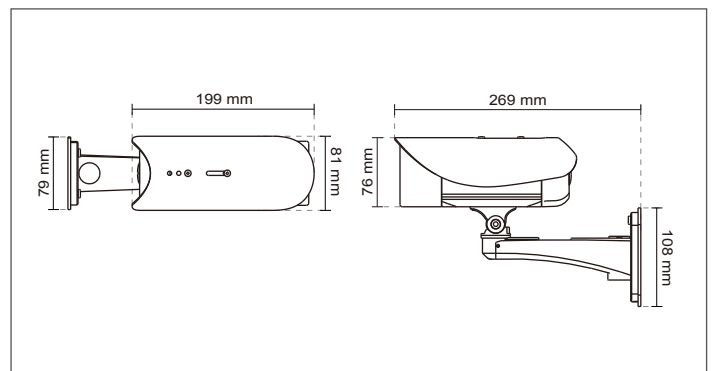
- > 1-Megapixel CMOS Sensor
- > 3 ~ 9 mm Vari-focal, P-iris Lens
- > Removable IR-cut Filter for Day & Night Function
- > Built-in IR Illuminators, Effective up to 20 Meters
- > WDR Pro for Unparalleled Visibility in High Contrast Environments
- > Real-time H.264, MPEG-4, and MJPEG Compression (Triple Codec)
- > Weather-proof IP67-rated Housing
- > Built-in 802.3af Compliant PoE
- > Built-in MicroSD/SDHC Card Slot for On-board Storage
- > Mounting Bracket with Cable Management for Protected Installation

# Specifications

<b>Lens</b>	<ul style="list-style-type: none"> <li>Board lens, vari-focal, f = 3 ~ 9 mm, F1.2 (wide), F2.1 (tele), P-iris</li> <li>Removable IR-cut filter for day &amp; night function</li> </ul>
<b>Field of View</b>	<ul style="list-style-type: none"> <li>85.7°~31.46° (horizontal)</li> <li>73.16°~25.4° (vertical)</li> <li>99.82°~39.67° (diagonal)</li> </ul>
<b>Shutter Time</b>	<ul style="list-style-type: none"> <li>1/15 sec. to 1/25,000 sec.</li> </ul>
<b>Image Sensor</b>	<ul style="list-style-type: none"> <li>1/3" CMOS sensor in 1280x800 resolution</li> </ul>
<b>Minimum Illumination</b>	<ul style="list-style-type: none"> <li>0.8 lux @ F1.2 (Color)</li> <li>0.001 lux @ F1.2 (B/W)</li> </ul>
<b>IR Illuminators</b>	<ul style="list-style-type: none"> <li>Built-in IR illuminators, effective up to 20 meters</li> <li>IR LED*12</li> </ul>
<b>Video</b>	<ul style="list-style-type: none"> <li>Compression: H.264, MJPEG &amp; MPEG-4</li> <li>Streaming: <ul style="list-style-type: none"> <li>Simultaneous dual streams</li> <li>H.264 streaming over UDP, TCP, HTTP or HTTPS</li> <li>MPEG-4 streaming over UDP, TCP, HTTP or HTTPS</li> <li>H.264/MPEG-4 multicast streaming</li> <li>MJPEG streaming over HTTP or HTTPS</li> </ul> </li> <li>Supports activity adaptive streaming for dynamic frame rate control</li> <li>Supports ePTZ for data efficiency</li> <li>Supports 3GPP mobile surveillance</li> <li>Frame rates: <ul style="list-style-type: none"> <li>H.264: <ul style="list-style-type: none"> <li>Up to 30 fps at 1280x800</li> <li>Up to 30 fps at 1280x720</li> </ul> </li> <li>MPEG-4: <ul style="list-style-type: none"> <li>Up to 25 fps at 1280x800</li> </ul> </li> <li>MJPEG: <ul style="list-style-type: none"> <li>Up to 30 fps at 1280x800</li> </ul> </li> </ul> </li> <li>Dynamic Range: 110dB</li> </ul>
<b>Image Settings</b>	<ul style="list-style-type: none"> <li>Adjustable image size, quality and bit rate</li> <li>Time stamp and text caption overlay</li> <li>Flip &amp; mirror</li> <li>Configurable brightness, contrast, saturation, sharpness, white balance and exposure</li> <li>AGC, AWB, AES</li> <li>WDR Pro</li> <li>Focus assist (Networking)</li> <li>Automatic, manual or scheduled day/night mode</li> <li>Supports privacy masks</li> </ul>
<b>Audio</b>	<ul style="list-style-type: none"> <li>Compression: <ul style="list-style-type: none"> <li>GSM-AMR speech encoding, bit rate: 4.75 kbps to 12.2 kbps</li> <li>MPEG-4 AAC audio encoding, bit rate: 16 kbps to 128 kbps</li> <li>G.711 audio encoding, bit rate: 64 kbps, <math>\mu</math>-Law or A-Law mode selectable</li> </ul> </li> <li>Interface: <ul style="list-style-type: none"> <li>External microphone input</li> <li>Audio output</li> </ul> </li> <li>Supports two-way audio</li> <li>Supports audio mute</li> </ul>
<b>Networking</b>	<ul style="list-style-type: none"> <li>10/100 Mbps Ethernet, RJ-45</li> <li>ONVIF support</li> <li>Protocols: IPv4, IPv6, TCP/IP, HTTP, HTTPS, UPnP, RTSP/RTP/RTCP, IGMP, SMTP, FTP, DHCP, NTP, DNS, DDNS, PPPoE, CoS, QoS, SNMP, and 802.1X</li> </ul>
<b>Alarm and Event Management</b>	<ul style="list-style-type: none"> <li>Triple-window video motion detection</li> <li>Tamper detection</li> <li>3 D/I and 1 D/O for external sensor and alarm</li> <li>Event notification using HTTP, SMTP or FTP</li> <li>Local recording of MP4 file</li> </ul>

<b>On-board Storage</b>	<ul style="list-style-type: none"> <li>MicroSD/SDHC card slot</li> <li>Stores snapshots and video clips</li> </ul>
<b>Security</b>	<ul style="list-style-type: none"> <li>Multi-level user access with password protection</li> <li>IP address filtering</li> <li>HTTPS encrypted data transmission</li> <li>802.1X port-based authentication for network protection</li> </ul>
<b>Users</b>	<ul style="list-style-type: none"> <li>Live viewing for up to 10 clients</li> </ul>
<b>Weight</b>	<ul style="list-style-type: none"> <li>Net: 996 g</li> </ul>
<b>LED Indicator</b>	<ul style="list-style-type: none"> <li>System power and status indicator</li> <li>System activity and network link indicator</li> </ul>
<b>Power</b>	<ul style="list-style-type: none"> <li>Power consumption: <ul style="list-style-type: none"> <li>12V DC - Max. 6.6 W</li> <li>24V AC - Max. 8.6 W</li> </ul> </li> <li>802.3af compliant Power-over-Ethernet (Class 3)</li> </ul>
<b>Housing</b>	<ul style="list-style-type: none"> <li>Weather-proof IP67-rated housing</li> </ul>
<b>Approvals</b>	<ul style="list-style-type: none"> <li>CE, LVD, FCC, VCCI, C-Tick</li> </ul>
<b>Operating Environments</b>	<ul style="list-style-type: none"> <li>Temperature: -20°C ~ 50°C (-4°F ~ 122°F)</li> <li>Humidity: 90% RH</li> </ul>
<b>Viewing System Requirements</b>	<ul style="list-style-type: none"> <li>OS: Microsoft Windows 7/Vista/XP/2000</li> <li>Browser: Mozilla Firefox, Internet Explorer 7.x or above</li> <li>Cell phone: 3GPP player</li> <li>Real Player: 10.5 or above</li> <li>Quick Time: 6.5 or above</li> </ul>
<b>Installation, Management, and Maintenance</b>	<ul style="list-style-type: none"> <li>Mounting bracket with cable concealment</li> <li>RS-485 interface for scanners, pan/tilts</li> <li>Installation Wizard 2</li> <li>32-CH ST7501 recording software</li> <li>Supports firmware upgrade</li> </ul>
<b>Applications</b>	<ul style="list-style-type: none"> <li>SDK available for application development and system integration</li> </ul>
<b>Warranty</b>	<ul style="list-style-type: none"> <li>24 months</li> </ul>
<b>Dimensions</b>	<ul style="list-style-type: none"> <li>Camera: <math>\varnothing</math> 70 mm x 186 mm</li> <li>Cable length: 520 mm</li> <li>Cable diameter: <math>\varnothing</math> 7.2 mm; Max width: <math>\varnothing</math> 14 mm</li> </ul>

Dimensions



All specifications are subject to change without notice. Copyright © VIVOTEK INC. All rights reserved.

Distributed by:



**VIVOTEK INC.**  
6F, No.192, Lien-Cheng Rd., Chung-Ho,  
New Taipei City, 235, Taiwan, R.O.C.  
T: +886-2-82455282 F: +886-2-82455532  
E: sales@vivotek.com

**VIVOTEK USA**  
2050 Ringwood Avenue,  
San Jose, CA 95131  
T: 408-773-8686 F: 408-773-8298  
E: salesusa@vivotek.com

**VIVOTEK Europe**  
Busplein 36, 1315KV,  
Almere, The Netherlands  
T: +31(0)36-5389-149 F: +31(0)36-5389-111  
E: saleseurope@vivotek.com

Ver 1.4