

IP8331

Network Bullet Camera

H.264 • Weather-proof • Day & Night



VIVOTEK IP8331 is a cost-effective, bullet-style network camera designed for our customers' needs in outdoor applications. With its weather-proof IP66-rated housing, the camera is shielded from harsh conditions such as rain and dust and provides an all-in-one solution without the need for additional accessories.

By integrating components for day/night functionality such as dual-band lens and built-in IR illuminators with an effective range of up to 10 meters, the camera is able to achieve superior performance in a compact design.

The IP8331 also supports tamper detection, which can detect events such as blockage, redirection, and spray-painting, making it an intelligent solution to possible camera obstruction.

Incorporating a number of VIVOTEK's advanced features, including simultaneous dual streams, triple-codec, 802.3af compliant PoE, and our free standard 32-channel recording software, the IP8331 is the ideal solution for your outdoor surveillance needs.

Features

- > 1/4" CMOS Sensor in VGA Resolution
- > Dual-band Lens for Day and Night Function
- > Built-in IR Illuminators, Effective up to 10 Meters
- > Real-time H.264, MPEG-4 and MJPEG Compression (Triple Codec)
- > Simultaneous Dual Streams
- > Weather-proof IP66-rated Housing
- > Built-in 802.3af Compliant PoE

Lens

- Board lens, dual-band, f = 4.0 mm, F1.8, Fixed
- IR corrected

Field of View

- 71° (horizontal)
- 52° (vertical)
- 90° (diagonal)

Shutter Time

- 1/5 sec. to 1/15,000 sec.

Image Sensor

- 1/4" CMOS sensor in VGA resolution

Minimum Illumination

- 0.001 Lux @ F1.8 (Color)

IR Illuminators

- Built-in IR illuminators, effective up to 10 meters
- IR LED*12

Video

- Compression: H.264, MJPEG & MPEG-4
- Streaming:
 - Simultaneous dual streams
 - H.264 streaming over UDP, TCP, HTTP or HTTPS
 - MPEG-4 streaming over UDP, TCP, HTTP or HTTPS
 - H.264/MPEG-4 multicast streaming
 - MJPEG streaming over HTTP or HTTPS
- Supports 3GPP mobile surveillance
- Frame rates:
 - H.264:
 - Up to 30/25 fps at 640x480
 - MPEG-4:
 - Up to 30/25 fps at 640x480
 - MJPEG:
 - Up to 30/25 fps at 640x480

Image Settings

- Adjustable image size, quality and bit rate
- Time stamp and text caption overlay
- Flip & mirror
- Configurable brightness, contrast, saturation, sharpness and white balance
- AGC, AWB, AES
- Automatic, manual or scheduled day/night mode
- Supports privacy masks

Networking

- 10/100 Mbps Ethernet, RJ-45
- Onvif support
- Protocols: IPv4, IPv6, TCP/IP, HTTP, HTTPS, UPnP, RTSP/RTP/RTCP, IGMP, SMTP, FTP, DHCP, NTP, DNS, DDNS, PPPoE, CoS, QoS and 802.1X

Alarm and Event Management

- Triple-window video motion detection
- Tamper detection
- One D/I for external sensor
- Event notification using HTTP, SMTP or FTP
- Local recording of MP4 file

Security

- Multi-level user access with password protection
- IP address filtering
- HTTPS encrypted data transmission
- 802.1X port-based authentication for network protection

Users

- Live viewing for up to 10 clients

Dimension

- Camera: Ø 60 mm x 150 mm
- Cable length: 400 mm
- Cable diameter: Ø 12 mm; Max width: Ø 18 mm

Weight

- Net: 640 g

LED Indicator

- System restore status indicator

Power

- 12V DC
- 24V AC
- Power consumption: Max. 4 W
- 802.3af compliant Power-over-Ethernet (Class 2)

Housing

- Weather-proof IP66-rated housing

Approvals

- CE, LVD, FCC, VCCI, C-Tick

Operating Environments

- Temperature: -20°C ~ 50°C (-4°F ~ 122°F)
- Humidity: 90% RH

Viewing System Requirements

- OS: Microsoft Windows 7/Vista/XP/2000
- Browser:
 - Mozilla Firefox, Internet Explorer 6.x or above
- Cell phone: 3GPP player
- Real Player: 10.5 or above
- Quick Time: 6.5 or above

Installation, Management, and Maintenance

- Installation Wizard 2
- 32-CH ST7501 recording software
- Supports firmware upgrade

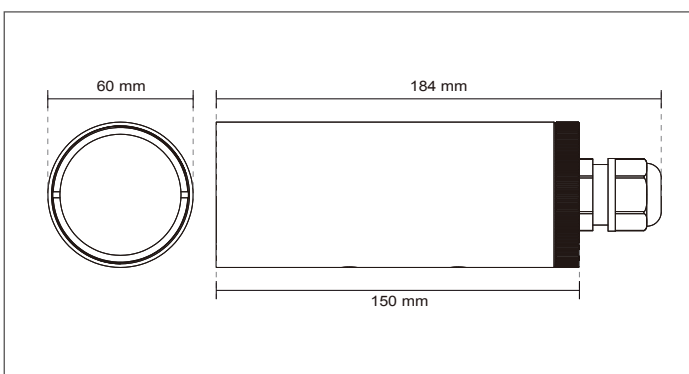
Applications

- SDK available for application development and system integration

Warranty

- 24 months

Dimension



All specifications are subject to change without notice. Copyright © 2011 VIVOTEK INC. All rights reserved. P/N: 971004900

Distributed by:



VIVOTEK INC.
 6F, No. 192, Lien-Cheng Rd., Chung-Ho, New Taipei City, 235, Taiwan, R.O.C.
 |T: +886-2-82455282 | F: +886-2-82455532 | E: sales@vivotek.com

VIVOTEK USA, INC.
 2050 Ringwood Avenue, San Jose, CA 95131
 |T: 408-773-8686 | F: 408-773-8298 | E: salesusa@vivotek.com