

# Indoor Dome Cameras with Self-Learning Video Analytics

AVIGILON

Avigilon offers the broadest range of high definition cameras in the industry – from 1 – 5 MP and 4 – 7K (based on horizontal resolution) – and are available in a variety of formats, including dome, panoramic and fixed. Whether it's a small storefront that requires a few cameras or a large complex system requiring complete coverage of numerous areas, you can trust that you're getting the best solution for your security needs.

The innovative HD indoor dome cameras are just one way Avigilon can help provide the very best monitoring and protection.



The HD dome camera with self-learning video analytics brings together Avigilon's world renowned camera technology with video analytics. The combination of instant and accurate object detection and classification alerts, with the identification performance of high-definition video, provides users with an unmatched level of perimeter protection to keep both personnel and assets safe.

The HD indoor dome camera is a great solution for monitoring both daytime and nighttime indoor activities. It features an integrated lens for remote focus and zoom control with excellent low light performance. P-Iris control also allows the camera to automatically set its iris position to maximize image quality in all lighting conditions, while onboard storage capabilities let you manage storage directly on the camera using a standard SD memory card.

## KEY FEATURES

Patented Advanced Video Pattern Detection and Teach by Example Technology

Self-Learning Video Analytics

Available with 3-9 mm F1.2 or 9-22 mm F1.6 P-Iris lens with remote focus and zoom

Up to 30 images per second

Triple Exposure Ultra Wide Dynamic Range (3 Megapixel)

Avigilon's LightCatcher™ technology provides unsurpassed image quality in low light environments

SD card slot for onboard storage support

H.264 and Motion JPEG compression

Zoom and content adaptive integrated IR (Infrared) LEDs provide uniform illumination in the dark, even at 0 lux, up to a maximum of 15 m (50 ft) away

Power over Ethernet, 24 VAC or 12 VDC power input

ONVIF compliant with version 2.2.0 of the Analytics Service Specification

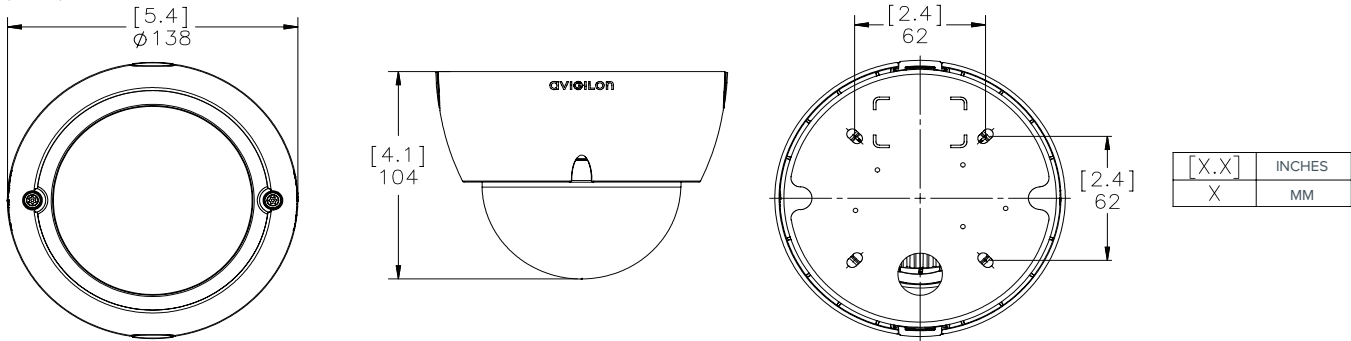
# Specifications

		1.0 MP	2.0 MP	3.0 MP					
<b>IMAGE PERFORMANCE</b>	Image Sensor	1/2.8" progressive scan CMOS							
	Active Pixels	1280 (H) x 720 (V)	1920 (H) x 1080 (V)	2048 (H) x 1536 (V)					
	Imaging Area	4.8 mm (H) x 2.7mm (V); 0.189" (H) x 0.106" (V)		5.12 mm (H) x 3.84 mm (V); 0.202" (H) x 0.151" (V)					
	Minimum Illumination	3-9 mm lens:	0.1 lux (F1.2) in color mode; 0.01 lux (F1.2) in monochrome mode						
		9-22 mm lens:	0.2 lux (F1.6) in color mode; 0.02 lux (F1.6) in monochrome mode						
	Dynamic Range	100 dB Dual Exposure True WDR		120 dB Triple Exposure Ultra WDR					
	Image Rate	30 fps (all resolutions)		20 fps (at full resolution); 30 fps (at 1920 x 1080 or smaller)					
	Resolution Scaling	Down to 768x432		Down to 768 x 432					
	<b>LENS</b>	Lens	3-9 mm lens: F1.2, P-Iris, remote focus and zoom						
			9-22 mm lens, F1.6, P-Iris, remote focus and zoom						
Angle of View		3-9 mm lens:	32° - 91°						
		9-22 mm lens:	13° - 28°						
<b>IMAGE CONTROL</b>	Image Compression Method	H.264 (MPEG-4 Part 10/AVC), Motion JPEG							
	Streaming	Multi-stream H.264 and Motion JPEG							
	Motion Detection	Pixel and Classified Objects							
	Camera Tampering Detection	Yes							
	Electronic Shutter Control	Automatic, Manual (1/6 to 1/8000 sec)							
	Iris Control	Automatic, Manual							
	Day/Night Control	Automatic, Manual							
	Flicker Control	50 Hz, 60 Hz							
	White Balance	Automatic, Manual							
	Backlight Compensation	Adjustable							
	Privacy Zones	Up to 64 zones							
	Audio Compression Method	G.711 PCM 8 kHz							
	Audio Input/Output	Line level input/output, A/V mini-jack (3.5 mm)							
	Video Output	(1MP and 2MP only) NTSC/PAL, A/V mini-jack (3.5 mm)							
	External I/O Terminals	Alarm In, Alarm Out							
	IR Illumination (option)	850 nm wavelength, 15 m (50 ft) max. distance of IR illumination at 0 lux							
<b>NETWORK</b>	Network	100BASE-TX							
	Cabling Type	CAT5							
	Connector	RJ-45							
	ONVIF	ONVIF compliant with version 1.02, 2.00, Profile S and 2.2.0 of the Analytics Service Specification (*bounding boxes and scene descriptions not available with third-party VMS))							
	Security	Password protection, HTTPS encryption, digest authentication, WS authentication, user access log, 802.1x port based authentication							
	Protocol	IPv4, HTTP, HTTPS, SOAP, DNS, NTP, RTSP, RTCP, RTP, TCP/UDP, IGMP, ICMP, DHCP, Zeroconf, ARP							
	Streaming Protocols	RTP/UDP, RTP/UDP multicast, RTP/RTSP/TCP, RTP/RTSP/HTTP/TCP, RTP/RTSP/HTTPS/TCP, HTTP							
	<b>MECHANICAL</b>		<b>SURFACE MOUNT INDOOR DOME CAMERA</b>		<b>IN-CEILING DOME CAMERA</b>				
Dimensions (ØxH)		138 mm x 104 mm; 5.4" x 4.1"		165 mm x 130 mm; 6.5" x 5.1"					
Weight		0.53 kg (1.17 lbs)		0.56 kg (1.2 lbs)					
Dome Bubble		Polycarbonate, clear							
Body		Plastic							
Housing		Surface mount, tamper resistant		Recessed mount, tamper resistant					
Finish		Plastic, RAL 9003;							
Adjustment Range		360° pan, 180° tilt (122° tilt with -IR option), 180° azimuth							
Onboard Storage		SD/SDHC/SDXC slot – minimum class 4; class 6 or better recommended							
<b>ELECTRICAL</b>		Power Consumption	5 W (10 W for -IR option)						
	Power Source	VDC: 12 V +/- 10%, 6 W min (10 W min with -IR option) VAC: 24 V +/- 10%, 8 VA min (12 VA min with -IR option)	PoE: IEEE802.3af Class 3 compliant						
	Power Connector	2-pin terminal block							
	RTC Backup Battery	3V Manganese Lithium							
<b>ENVIRONMENTAL</b>	Operating Temperature	-10 °C to +50 °C (14 °F to 122 °F)							
	Storage Temperature	-10 °C to +70 °C (14 °F to 158 °F)							
	Humidity	0 - 95% non-condensing							
<b>CERTIFICATIONS</b>	Safety	UL 60950-1	CSA 60950-1	IEC/EN 60950-1	CE	ROHS	WEEE	RCM	
	Electromagnetic Emissions	FCC Part 15 Subpart B Class B		IC ICES-003 Class B	EN 55022 Class B		EN 61000-6-3		
	Electromagnetic Immunity	EN 55024	EN 61000-6-1	EN 61000-4-2	EN 61000-4-3	EN 61000-4-4	EN 61000-4-5	EN 61000-4-6	EN 61000-4-11
<b>SUPPORTED VIDEO ANALYTICS EVENTS</b>	Objects in Area	The event is triggered when the selected object type moves into the region of interest. If the number of objects is exceeded, a new event is not triggered until the number of objects falls below the defined value.							
	Object Loitering	The event is triggered when the selected object type stays within the region of interest for an extended amount of time. The event is reset when the object leaves the region of interest.							
	Objects Crossing Beam	The event is triggered when the specified number of objects have crossed the directional beam that has is configured over the camera's field of view. The beam can be unidirectional or bidirectional. If the number of objects is exceeded, a new event is not triggered until the event timesout.							
	Object Appears or Enters Area	The event is triggered by each object that enters the region of interest. This event can be used to count objects.							
	Object Not Present in Area	The event is triggered when no objects are present in the region of interest.							
	Objects Enter Area	The event is triggered when the specified number of objects have entered the region of interest.							
	Objects Leave Area	The event is triggered when the specified number of objects have left the region of interest.							
	Object Stops in Area	The event is triggered when an object in a region of interest stops moving for the specified threshold time.							
	Direction Violated	The event is triggered when an object moves in the prohibited direction of travel.							
	Tamper Detection	The event is triggered when the scene unexpectedly changes.							

# Outline Dimensions

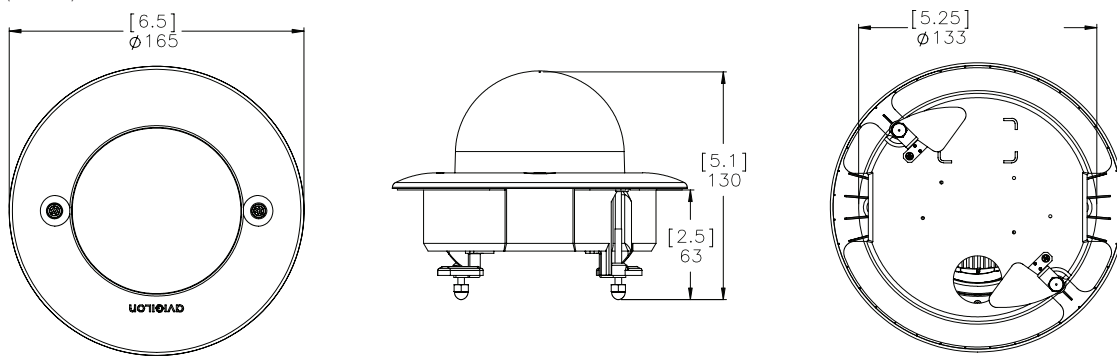
## Surface Mount Dome Camera

(H3A-D)



## In-Ceiling Dome Camera

(H3A-DC)



# Ordering Information

### SURFACE MOUNT INDOOR DOME CAMERAS

1.0C-H3A-D1	1.0 Megapixel WDR Day/Night H.264 HD 3-9 mm Indoor Dome Camera with Self-Learning Video Analytics and LightCatcher Technology
1.0C-H3A-D1-IR	1.0 Megapixel WDR Day/Night H.264 HD 3-9 mm Indoor Dome Camera with IR Illuminator and Self-Learning Video Analytics and LightCatcher Technology
1.0C-H3A-D2	1.0 Megapixel WDR Day/Night H.264 HD 9-22 mm Indoor Dome Camera with Self-Learning Video Analytics and LightCatcher Technology
2.0C-H3A-D1	2.0 Megapixel WDR Day/Night H.264 HD 3-9 mm Indoor Dome Camera with Self-Learning Video Analytics and LightCatcher Technology
2.0C-H3A-D1-IR	2.0 Megapixel WDR Day/Night H.264 HD 3-9 mm Indoor Dome Camera with IR Illuminator and Self-Learning Video Analytics and LightCatcher Technology
2.0C-H3A-D2	2.0 Megapixel WDR Day/Night H.264 HD 9-22 mm Indoor Dome Camera with Self-Learning Video Analytics and LightCatcher Technology
3.0C-H3A-D1	3.0 Megapixel WDR Day/Night H.264 HD 3-9 mm Indoor Dome Camera with Self-Learning Video Analytics and LightCatcher Technology
3.0C-H3A-D1-IR	3.0 Megapixel WDR Day/Night H.264 HD 3-9 mm Indoor Dome Camera with IR Illuminator and Self-Learning Video Analytics and LightCatcher Technology
3.0C-H3A-D2	3.0 Megapixel WDR Day/Night H.264 HD 9-22 mm Indoor Dome Camera with Self-Learning Video Analytics and LightCatcher Technology
H3-D-SMOKE	Dome Camera Cover with Smoked Bubble
H3-D-CLEAR	Dome Camera Cover with Clear Bubble

### IN-CEILING DOME CAMERAS

1.0C-H3A-DC1	1.0 Megapixel WDR Day/Night H.264 HD 3-9 mm In-Ceiling Dome Camera with Self-Learning Video Analytics and LightCatcher Technology
1.0C-H3A-DC2	1.0 Megapixel WDR Day/Night H.264 HD 9-22 mm In-Ceiling Dome Camera with Self-Learning Video Analytics and LightCatcher Technology
2.0C-H3A-DC1	2.0 Megapixel WDR Day/Night H.264 HD 3-9 mm In-Ceiling Dome Camera with Self-Learning Video Analytics and LightCatcher Technology
2.0C-H3A-DC2	2.0 Megapixel WDR Day/Night H.264 HD 9-22 mm In-Ceiling Dome Camera with Self-Learning Video Analytics and LightCatcher Technology
3.0C-H3A-DC1	3.0 Megapixel WDR Day/Night H.264 HD 3-9 mm In-Ceiling Dome Camera with Self-Learning Video Analytics and LightCatcher Technology
3.0C-H3A-DC2	3.0 Megapixel WDR Day/Night H.264 HD 9-22 mm In-Ceiling Dome Camera with Self-Learning Video Analytics and LightCatcher Technology
H3-DC-SMOKE	Dome Camera Cover with Smoked Bubble
H3-DC-PNL	Metal Ceiling Panel
H3-DC-CLEAR	Dome Camera Cover with Clear Bubble