

6K and 7K HD Pro Cameras with LightCatcher™ Technology

AVIGILON

Avigilon offers a broad range of high definition cameras – from 1 – 5 MP and 4 – 7K (based on horizontal resolution) – and are available in a variety of formats, including dome, panoramic and fixed. Whether it's a small storefront that requires a few cameras or a large complex system requiring complete coverage of numerous areas, you can trust that you're getting an exceptional solution for your security needs.

The innovative HD Pro camera is just one way Avigilon can help provide the very best monitoring and protection.



The new Avigilon 6K and 7K HD Pro cameras capture best-in-class image details over vast areas, providing maximum coverage options. These are our most powerful and innovative high definition cameras yet.

Avigilon's 7K HD Pro camera is the security industry's first single-sensor 7K (30 megapixel) camera. It delivers stunning image detail, simultaneously providing maximum scene coverage while minimizing bandwidth and storage consumption through our patented High Definition Stream Management™ (HDSM) technology. HDSM technology drastically reduces server-client bandwidth requirements and makes optimal use of client computing resources, enabling greater scalability and increased camera resolution.

KEY FEATURES

Progressive scan CMOS sensor

Avigilon's LightCatcher™ technology provides unsurpassed image quality in low light environments

Patented High Definition Stream Management (HDSM)™ technology

H.264 and Motion JPEG compression (Motion JPEG compression up to 3840 x 2160)

Up to 8 images per second

70 dB true dynamic range

SD card slot for onboard storage support

Compatible with a wide selection of EF mount lenses

Power over Ethernet, 24 VAC or 12 VDC power input

External I/O and RS-485 interface

Specifications

H.264 HD PRO CAMERA

IMAGE PERFORMANCE

	6K (24 MP)		7K (30 MP)	
Image Sensor	43.3 mm (Type 2.7) progressive scan CMOS			
Aspect Ratio	16:9	3:2	16:9	3:2
Active Pixels	6016(H) x 3384(V)	6016 (H) x 4008 (V)	7360 (H) x 4128 (V)	6720 (H) x 4488(V)
Imaging Area	35.9 mm (H) x 20.2 mm (V); 1.41" (H) x 0.80" (V)	35.9 mm (H) x 23.9 mm (V); 1.41" (H) x 0.94" (V)	35.9 mm (H) x 20.1 mm (V); 1.41" (H) x 0.79" (V)	35.9 mm (H) x 22 mm (V); 1.41" (H) x 0.87" (V)
Minimum Illumination	0.005 lux (at F1.4)			
Dynamic Range	70 dB			
Resolution Scaling	3840 x 2160			
Image Rate	8 fps	7 fps	6 fps	5 fps

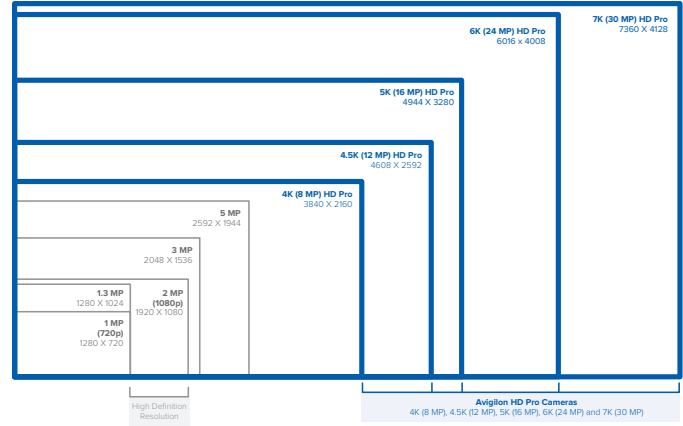
LENS

Lens Mount	EF (SLR-style bayonet)
------------	------------------------

IMAGE CONTROL

Image Compression Method	H.264 (MPEG-4 Part 10/AVC), Motion JPEG
Streaming	Multi-stream H.264 and Motion JPEG
Motion Detection	Selectable sensitivity and threshold
Electronic Shutter Control	Automatic, Manual (1 to 1/8000 sec)
Iris Control	* Automatic, Manual
Day/Night Control	* Automatic, Manual
Flicker Control	50 Hz, 60 Hz
White Balance	Automatic, Manual
Privacy Zones	Up to 4 zones
Audio Compression Method	G.711 PCM 8 kHz
Audio Input/Output	Line level input and output, A/V mini-jack (3.5 mm)
External I/O Terminals	Alarm In, Alarm Out

*Dependent on selected lens capability



NETWORK

Network	100BASE-TX
Cabling Type	CAT5
Connector	RJ-45
Security	Password protection, HTTPS encryption, digest authentication, WS authentication, user access log, 802.1x port based authentication
Protocol	IPv4, HTTP, HTTPS, SOAP, DNS, NTP, RTSP, RTCP, RTP, TCP,UDP, IGMP, ICMP, DHCP, Zeroconf, ARP
Streaming Protocols	RTP/UDP, RTP/UDP multicast, RTP/RTSP/TCP, RTP/RTSP/HTTP/TCP, RTP/RTSP/HTTPS/TCP, HTTP

MECHANICAL

Dimensions (L x W x H)	109 mm x 73 mm x 68 mm; 4.3" x 2.9" x 2.7"
Weight	0.39 kg (0.85 lb)
Camera Mount	¼"-20 UNC (top and bottom)
Onboard Storage	SD/SDHC/SDXC slot - minimum class 6; class 10 & 64 GB or better recommended

ELECTRICAL

Power Consumption	13 W max - camera only		
Power Source	VDC: 12 V +/- 10%, 13 W	VAC: 24 V +/- 10%, 18.4 VA	PoE: IEEE802.3af Class 3 compliant
RTC Backup Battery	3V Manganese Lithium		

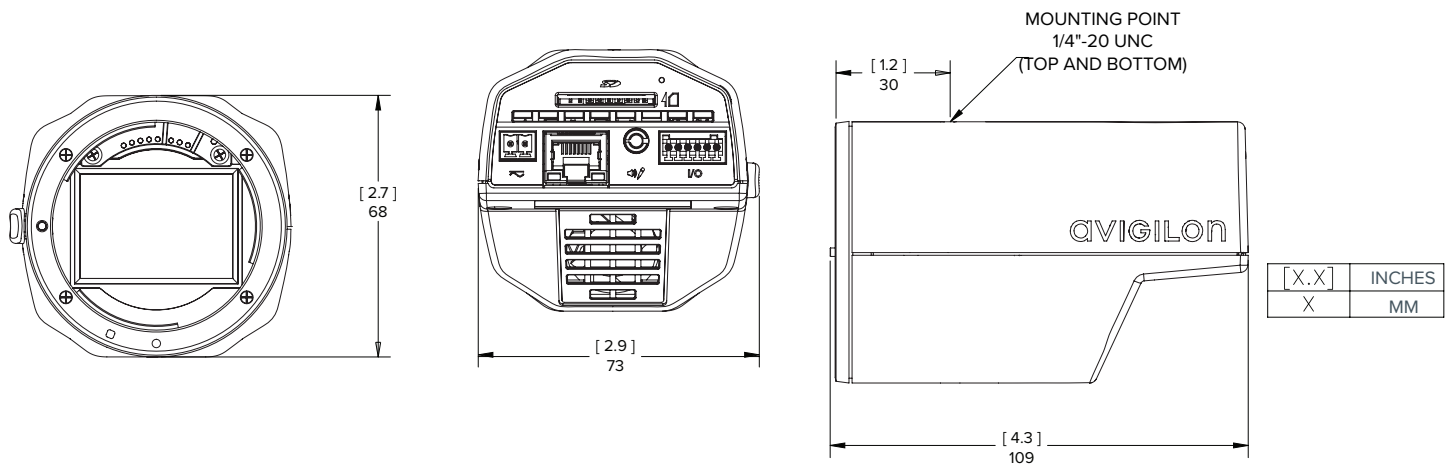
ENVIRONMENTAL

Operating Temperature	-10 °C to +50 °C (14 °F to 122 °F)
Storage Temperature	-10 °C to +70 °C (14 °F to 158 °F)
Humidity	0 - 95% non-condensing

CERTIFICATIONS

Certifications	UL	cUL	CE	ROHS	WEEE	RCM	KC	EAC
Safety	UL 60950-1		CSA 60950-1		IEC/EN 60950-1			
Electromagnetic Emissions	FCC Part 15 Subpart B Class B		IC ICES-003 Class B		EN 55022 Class B	EN 61000-6-3	EN 61000-3-2	EN 61000-3-3 KN 22
Electromagnetic Immunity	EN 55024				EN 61000-6-1		KN 24	

Outline Dimensions



H.264 HD PRO CAMERA

Ordering Information

24L-H4PRO-B	6K (24 MP) H.264 HD Pro Camera with LightCatcher™ technology
30L-H4PRO-B	7K (30 MP) H.264 HD Pro Camera with LightCatcher™ technology

Lens:	Part Number	Description
	LEF2414CA	Canon 24mm f1.4L, Auto-Iris
	LEF2818CA	Canon 28mm f1.8, Auto-Iris
	LEF3514CA	Canon 35mm f1.4L, Auto-Iris
	*LEF3520CA	Canon 35mm f2.0, Auto-Iris
	LEF4028CA	Canon 40mm f2.8, Auto-Iris
	*LEF5012CA	Canon 50mm f1.2L, Auto-Iris
	LEF5014CA	Canon 50mm f1.4, Auto-Iris
	LEF5018CA2	Canon 50mm f1.8, Auto-Iris
	LEF8512CA	Canon 85mm f1.2L, Auto-Iris
	LEF8518CA	Canon 85mm f1.8, Auto-Iris
	LEF10020CA	Canon 100mm f2.0, Auto-Iris
	LEF20028CA	Canon 200mm f2.8L, Auto-Iris
	*LEF163528CA	Canon 16-35mm f2.8L, Auto-Iris, Vari Focal
	LEF247028TA	Tamron 24-70mm f2.8, Auto-Iris, Vari Focal, with Vibration Control
	LEF7020028CA	Canon 70-200mm f2.8L, Auto-Iris, Vari Focal
	LEF7030040CA	Canon 70-300mm f4-5.6 IS, Auto-Iris, Vari Focal, with image stabilization
	*LEF10040045CA2	Canon 100-400mm f4.5-5.6L IS II, Auto-Iris, Vari Focal, with image stabilization

*Lenses require AUX power.

Enclosures:	Part Number	Description
	ES-HD-HWS-SM	Outdoor HD Small Enclosure with Heater
	ES-HD-HWS	Outdoor HD Enclosure with Heater
	ES-HD-CWS	Outdoor HD Enclosure with Cooling Fan
	ES-HD-HWS-LG	Outdoor HD Large Enclosure with Heater
	ES-HD-CWS-LG	Outdoor HD Large Enclosure with Cooling Fan
	ES-HD-HS-XL	Outdoor HD X-Large Enclosure
	ES-HD-IPM	Outdoor HD Enclosure PoE Module