

HD Bullet Camera

AVIGILON

Avigilon offers the broadest range of high definition cameras in the industry – from 1 – 5 MP and 4 – 7K (based on horizontal resolution) – and are available in a variety of formats, including dome, panoramic and fixed. Whether it's a small storefront that requires a few cameras or a large complex system requiring complete coverage of numerous areas, you can trust that you're getting the best solution for your security needs.

The innovative HD Bullet camera is just one way Avigilon can help provide the very best monitoring and protection.



Avigilon's HD Bullet camera is ideal for seeing objects and activity in complete darkness. With our unique adaptive IR technology, this camera is equipped to provide both wide and narrow illumination, enabling consistent illumination in complete darkness to maximize image quality regardless of scene conditions. Avigilon's HD Bullet camera also features wide dynamic range capabilities and is vandal resistant for maximum security. Onboard storage capabilities let you manage storage directly on the camera using a standard SD memory card. The Bullet camera is ideal for monitoring a variety of environments that require discreet nighttime coverage, including parking lots, campuses and industrial yards.

KEY FEATURES

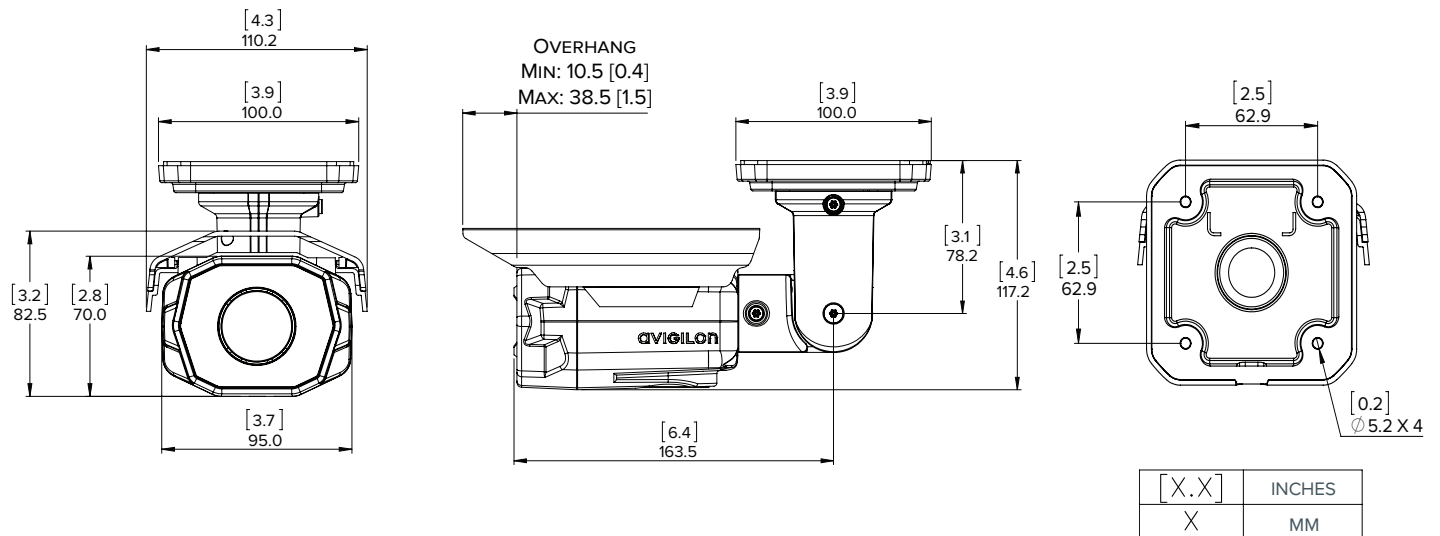
Progressive scan CMOS sensor
Unsurpassed image quality in daytime and nighttime
Available with 3-9 mm F1.2 or 9-22 mm F1.6 P-Iris lens with remote focus and zoom
Up to 30 images per second
Wide Dynamic Range
SD card slot for onboard storage support
Integrated IR (Infrared) LEDs provide uniform illumination in the dark, even at 0 lux, up to maximum of 200 ft (60 m) away
Zoom and content adaptive IR provides the most effective illumination at all zoom positions, while maintaining optimum scene illumination
Automatic Day/Night functionality with removable IR cut filter to switch to Day or Night mode depending on the light level
PoE (Power over Ethernet) enables operating temperatures of -40°C to 50°C (-40°F to 122°F) with no auxiliary power required.
Additional configuration Ethernet port for easy installation
ONVIF compliant API with H.264 and Motion JPEG compression
Vandal resistant construction and IP66 compliant

Specifications

HD BULLET CAMERA

		1.0 MP	2.0 MP	3.0 MP	5.0 MP					
IMAGE PERFORMANCE	Image Sensor	WDR 1/3" progressive scan CMOS			1/3.2" progressive scan CMOS					
	Active Pixels	1280 (H) x 720 (V)	1920 (H) x 1080 (V)	2048 (H) x 1536 (V)	2592 (H) x 1944 (V)					
	Imaging Area	4.2 mm (H) x 2.4 mm (V); 0.165"(H) x 0.094"(V)		4.5 mm (H) x 3.4 mm (V); 0.177" (H) x 0.133" (V)	4.6 mm (H) x 3.4 mm (V); 0.181" (H) x 0.133" (V)					
	Illuminator Technology	High-power IR LEDs								
	IR Illumination	3-9 mm lens:	850 nm wavelength, 30 m (100 ft) max. distance of IR illumination at 0 lux							
		9-22 mm lens:	850 nm wavelength, 60 m (200 ft) max. distance of IR illumination at 0 lux							
	Minimum Illumination	3-9 mm lens:	0.2 lux (F1.2) in color mode 0 lux in monochrome mode with IR		0.3 lux (F1.2) in color mode					
		9-22 mm lens:	0.4 lux (F1.6) in color mode 0 lux in monochrome mode with IR		0.6 lux (F1.6) in color mode					
	Dynamic Range	100 dB			69 dB					
	Image Rate	30 (all resolutions)		20 (at full resolution) 30 (at 1920 x 1080 or smaller)	13 (at full resolution)					
LENS	Lens	3-9 mm, F1.2, P-Iris, remote focus and zoom								
		9-22 mm, F1.6, P-Iris, remote focus and zoom								
	Angle of View	3-9 mm lens:	26° - 79°		28° - 84°					
		9-22 mm lens:	11° - 26°	11° - 28°	12° - 28°					
IMAGE CONTROL	Image Compression Method	H.264 (MPEG-4 Part 10/AVC), Motion JPEG								
	Streaming	Multi-stream H.264 and Motion JPEG								
	Motion Detection	Selectable sensitivity and threshold								
	Electronic Shutter Control	Automatic, Manual (1/6 to 1/8000 sec)								
	Iris Control	Automatic, Manual								
	Day/Night Control	Automatic, Manual								
	Flicker Control	50 Hz, 60 Hz								
	White Balance	Automatic, Manual								
	Backlight Compensation	Adjustable								
	Privacy Zones	Up to 64 zones								
	Audio Compression Method	G.711 PCM 8 kHz								
	Audio Input/Output	Line level input and output, A/V mini-jack (3.5 mm)								
	External I/O Terminals	Alarm In, Alarm Out								
NETWORK	Network	100BASE-TX								
	Cabling Type	CAT5								
	Connector	RJ-45								
	API	ONVIF compliance version 1.02, 2.00, Profile S (www.onvif.org)								
	Security	Password protection, HTTPS encryption, digest authentication, WS authentication, user access log, 802.1x port based authentication								
	Protocol	IPv4, HTTP, HTTPS, SOAP, DNS, NTP, RTSP, RTCP, RTP, TCP,UDP, IGMP, ICMP, DHCP, Zeroconf, ARP								
	Streaming Protocols	RTP/UDP, RTP/UDP multicast, RTP/RTSP/TCP, RTP/RTSP/HTTP/TCP, RTP/RTSP/HTTPS/TCP, HTTP								
	MECHANICAL	Dimensions (LxWxH)	241.7 mm x 95.0 mm x 70 mm; 9.5" x 3.7" x 2.8"							
Weight		1.15 kg (2.5 lbs)								
Body		Aluminum								
Housing		Surface mount, tamper resistant								
Finish		Powder coat, cool gray 2								
Adjustment Range		±175° pan, -45° to +90° tilt, ±175° azimuth								
Onboard Storage		SD/SDHC/SDXC slot – minimum class 4; class 6 or better recommended								
ELECTRICAL	Power Consumption	22 W with external power		12.95 W with IEEE 802.3af Class PoE						
	Power Source	VDC: 12 V +/- 10%, 22 W min		VAC: 24 V +/- 10%, 28 VA min	PoE: IEEE802.3af Class 3 compliant					
	RTC Backup Battery	3V Manganese Lithium								
ENVIRONMENTAL	Operating Temperature	-40 °C to +50 °C (-40 °F to 122 °F)								
	Storage Temperature	-10 °C to +70 °C (14 °F to 158 °F)								
	Humidity	0 - 95% non-condensing								
CERTIFICATIONS	Certifications/Directives	UL	cUL	CE	ROHS	WEEE	RCM	EAC		
	Safety	UL 60950-1		CSA 60950-1		IEC/EN 60950-1		IEC 62471		
	Environmental	IK10 Impact Rating		UL/CSA/IEC 60950-22		IEC 60529 IP66 Rating				
	Electromagnetic Emissions	FCC Part 15 Subpart B Class B		IC ICES-003 Class B		EN 55022 Class B		EN 61000-6-3	EN 61000-3-2	EN 61000-3-3
	Electromagnetic Immunity	EN 55024				EN 61000-6-1				

Outline Dimensions



HD BULLET CAMERA

Ordering Information

1.0W-H3-BO1-IR	1.0 Megapixel WDR 3-9 mm HD Bullet Camera
1.0W-H3-BO2-IR	1.0 Megapixel WDR 9-22 mm HD Bullet Camera
2.0W-H3-BO1-IR	2.0 Megapixel WDR 3-9mm HD Bullet Camera
2.0W-H3-BO2-IR	2.0 Megapixel WDR 9-22 mm HD Bullet Camera
3.0W-H3-BO1-IR	3.0 Megapixel WDR 3-9 mm HD Bullet Camera
3.0W-H3-BO2-IR	3.0 Megapixel WDR 9-22 mm HD Bullet Camera
5.0-H3-BO1-IR	5.0 Megapixel 3-9 mm HD Bullet Camera
5.0-H3-BO2-IR	5.0 Megapixel 9-22 mm HD Bullet Camera
H3-BO-JB	Junction box for the H3-BO-IR HD Bullet Cameras
MNT-AD-POLE-B	Aluminum pole mounting bracket for dome cameras using Pendant Mount Brackets and HD Bullet Cameras
MNT-AD-CORNER	Aluminum corner mounting bracket for dome cameras using Pendant Mount Brackets and HD Bullet Cameras