

EMV1601/801/401

16 / 8 / 4 Channel Hybrid Mobile DVR

NEW



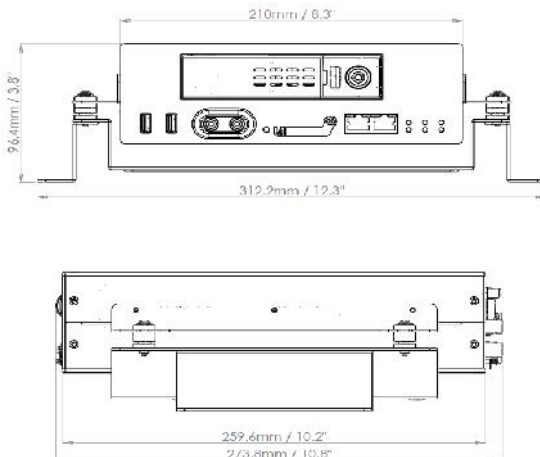
Feature

- Hybrid mobile DVR (supports both Analog and IP cameras)
- Up to 1080p resolution recording
- H.264 dual-stream video compression
- Supports HDD up to 1TB
- 1Gb Ethernet port x 2
- 3-axis G-sensor embedded
- Multiple serial interfaces
- Internal temperature control (Built-in 2 heaters)
- IR remote control function
- Aviation connectors adopted
- Archives recordings to the USB storage device
- Supports mobile applications (MobileFocus)
- Multiple network monitoring: Web viewer, Genie XMS xFleet (Server System), EF xFleet Lite (Windows Application)
- Certificates: CE, FCC, EN50155, E-Mark

Specifications

Model Name		EMV1601	EMV801	EMV401
Video Input	Number of Channels	16 CH *	8 CH	4 CH
	Video Compression	H.264		
Audio	Audio Inputs	16	8	4
	Outputs	1 (RCA)		
Video Output	Video Output (Main Monitor)	BNC x 1 / RCA x 1 / VGA x 1		
	Video Output (Call Monitor)	BNC x 1		
Recording	Recording Resolution	1080p/720p/960H/D1/2CIF/CIF/QCIF		
	Recording Mode	Event, Normal + Event, Schedule		
	Recording Rate	Analog: 30fps/CH (NTSC), 25fps/CH (PAL) IP: 30 fps/CH at resolution of 1080p		
	Pre Alarm Recording	Yes		
Playback	Playback Mode	Duplex		
	Playback Search	Time / Date, event search		
Video Detection & Alarm	Alarm Inputs	16	8	4
	Alarm Outputs	2		
	Video Loss Detection	Yes		
	Event Alarm	Yes		
Network	Ethernet	RJ-45 port x 2(10/100/1000M)		
	Wi-Fi	Optional		
	3G	Optional		
	GPS	Optional		
Storage	HDD	3.5" HDD x 1 or 2.5" HDD x 1 (max 1TB)		
External Interface	Interfaces	RJ-45 x 2, RS-232 x1, RS-485 x1, USB x 3		
General	G Sensor	3-Axis G-Sensor embedded		
	System Control	IR Remote Control, Mouse, Web UI		
	PTZ control	Yes		
	Power Source	10-32 VDC		
	Power Consumption	20W/60W(Heater On)		
	Operating Temperature	-40°C~55°C / -40°F~131°F		
	Weight	3.65 Kg / 8.05 lbs (with mounting bracket) 3.2 Kg / 7.05 lbs (without mounting bracket)		
Certificates	CE, FCC, E-Mark, EN50155			

Dimensions



- All product specifications are subject to change without notice
- Models vary in different countries. Please visit EverFocus regional websites for detailed ordering information

* EMV1601 supports max to 8CH IP cameras